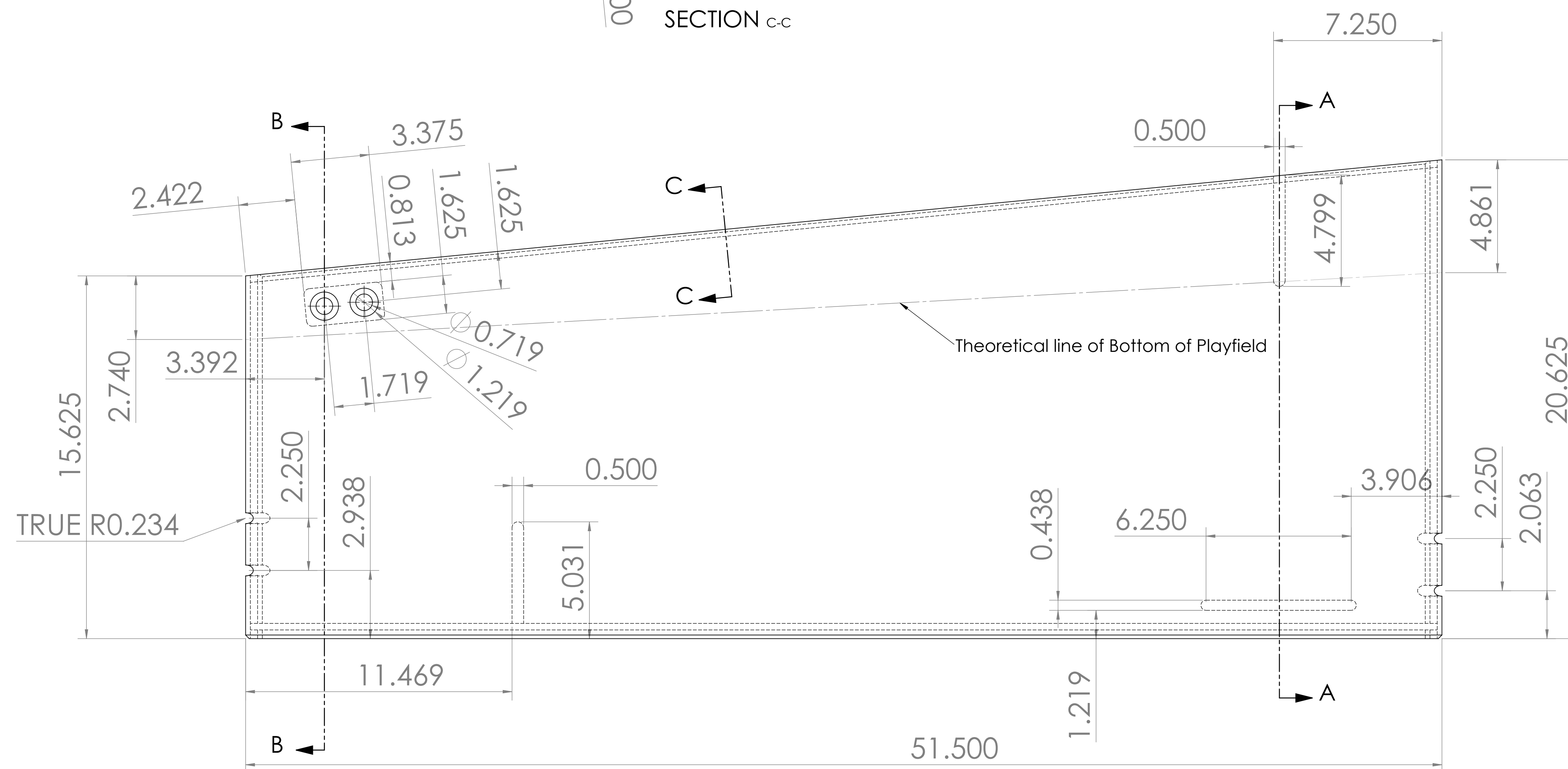
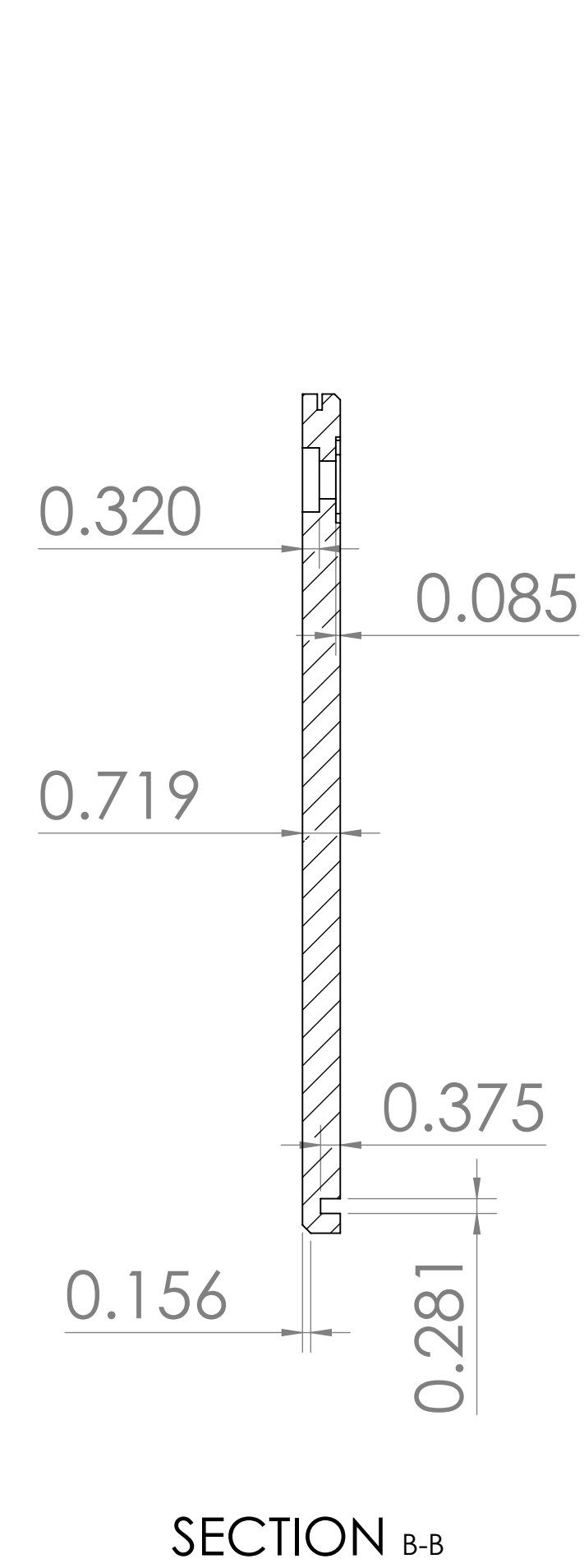
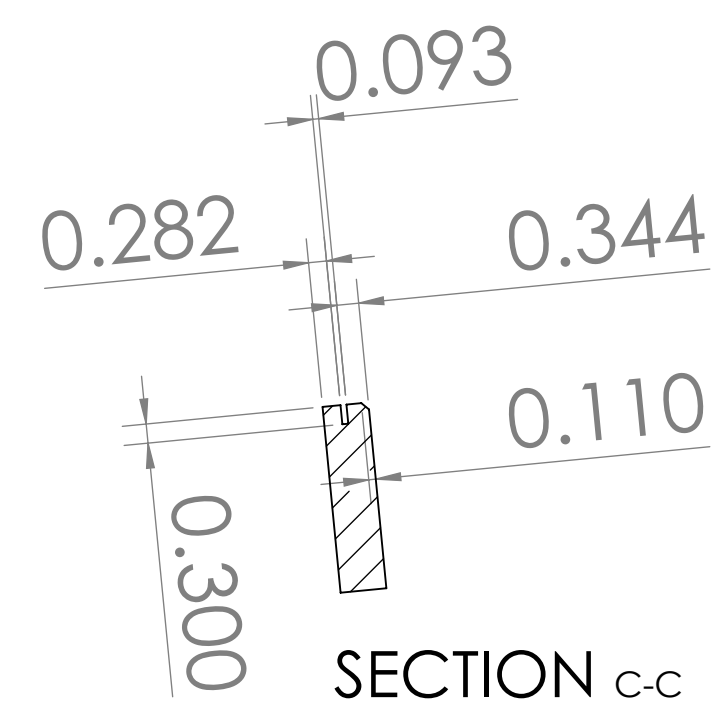
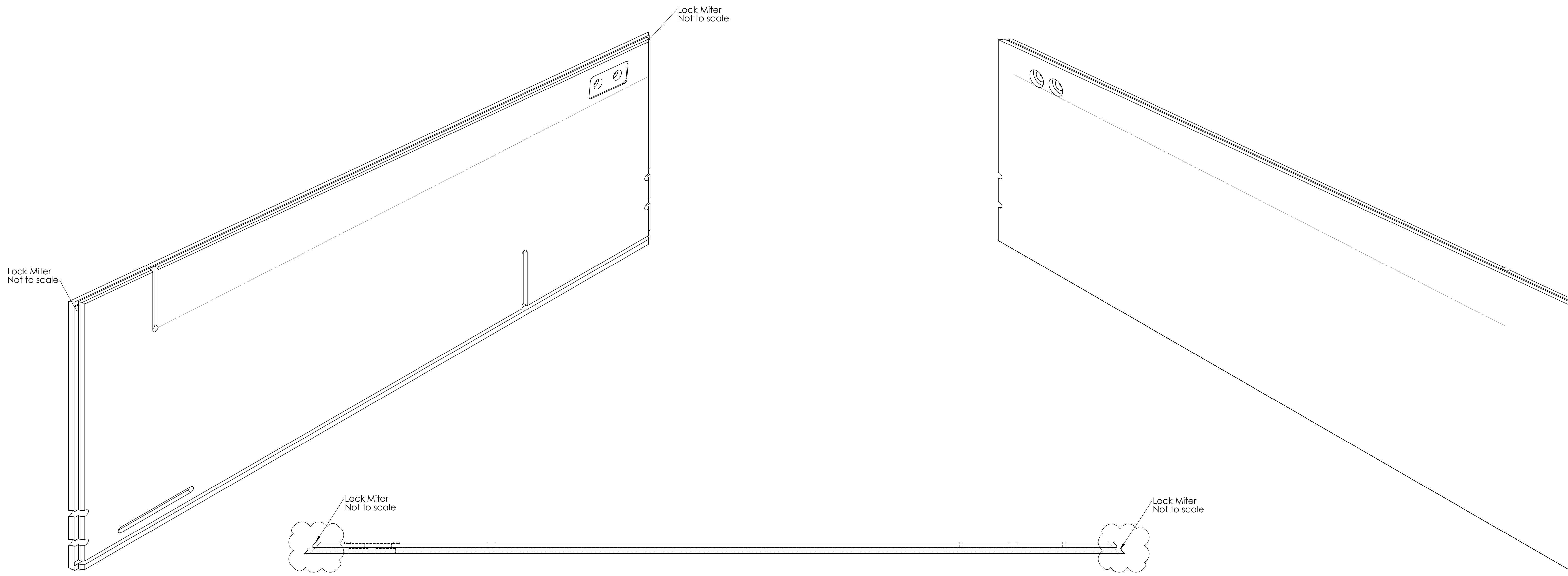


UNLESS OTHERWISE SPECIFIED:		NAME	DATE	TITLE
DIMENSIONS ARE IN INCHES	DRAWN	REL	3/5/2008	Pharaoh Cabinet Lower
TOLERANCES:	CHECKED			
FRACTIONAL: AS SHOWN	ENG APPR			
TWO PLACE DECIMAL: ±	DATE			
THREE PLACE DECIMAL: ±	SCALE			SIZE DWG. NO. REV
INTERPRET GEOMETRIC TOLERANCES PER: AS A WHOLE WITHOUT THE WRITTEN PERMISSION OF Robert Longoria IS PROHIBITED.	1:3	WEIGHT:		A
				SHEET 1 OF 6



Right Cabinet Side
(Left is a mirror)

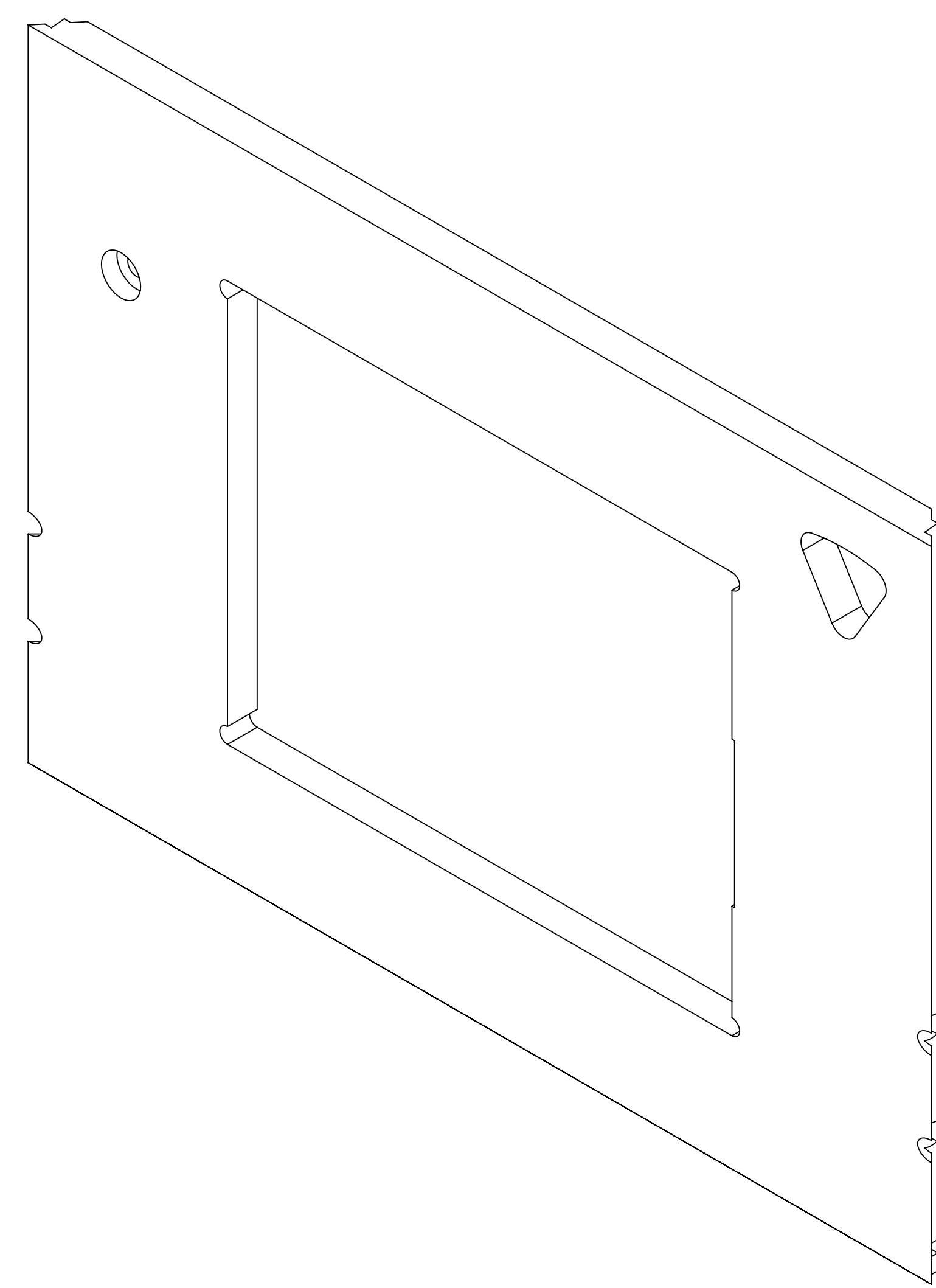
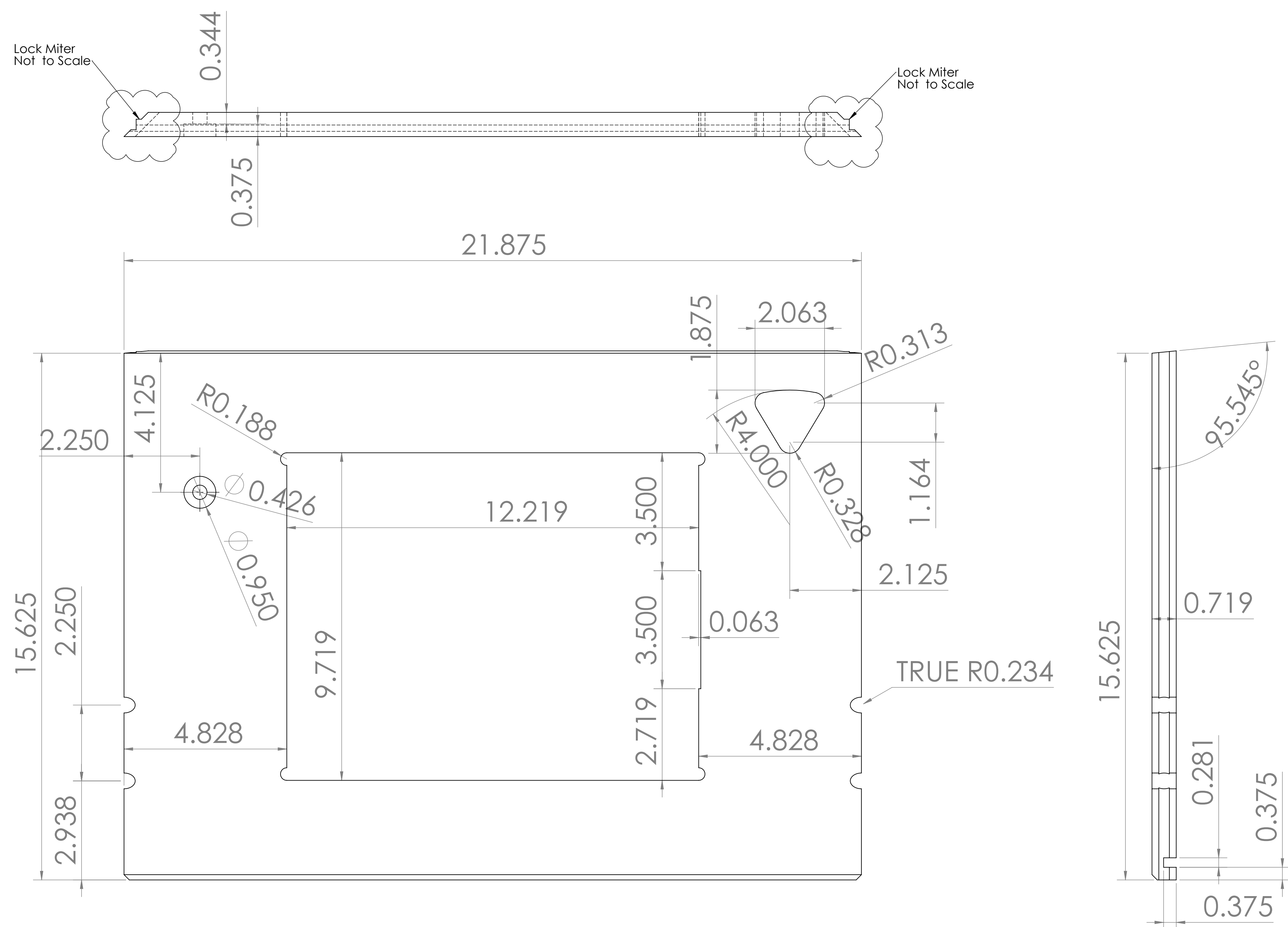
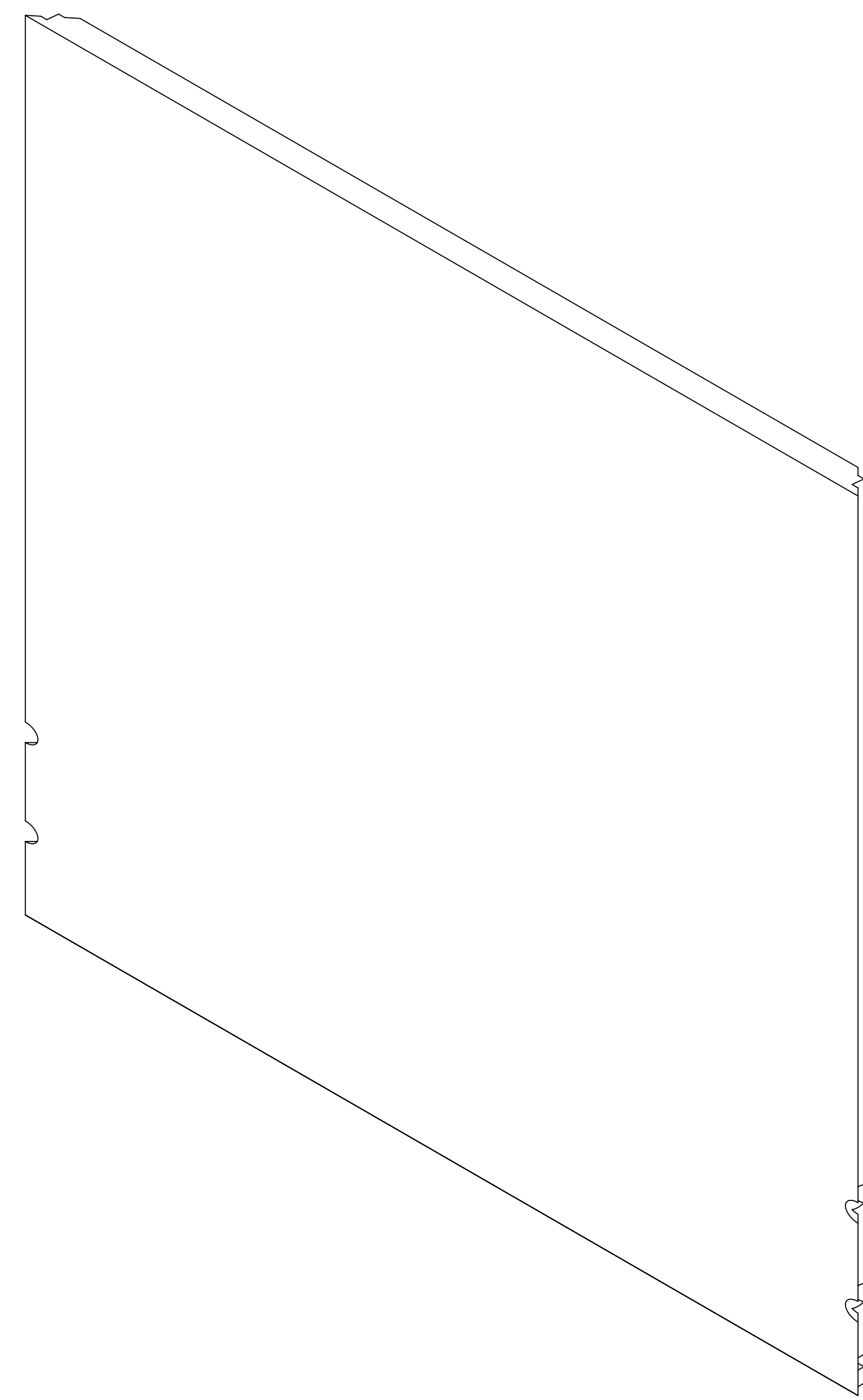
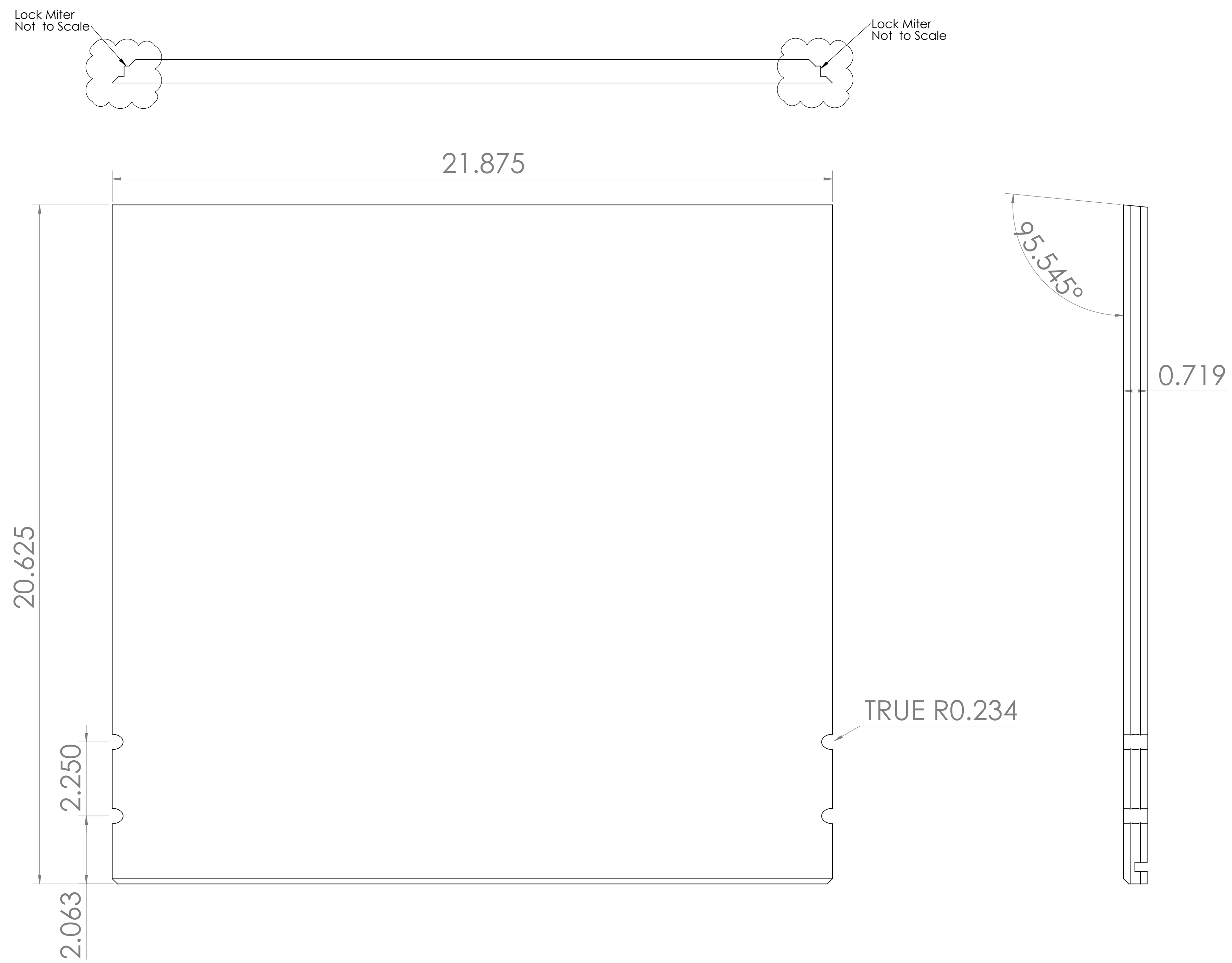
Right Cabinet Side

UNLESS OTHERWISE SPECIFIED:		NAME	DATE	TITLE
TO DIMENSIONS	DRAWN	REL	3/5/2008	Pharaoh Cabinet Lower
FRACTIONAL	CHECKED			
DECIMAL	INCHES			
THREE PLACE DECIMAL	FEET			
FOUR PLACE DECIMAL	FEET			
FIVE PLACE DECIMAL	FEET			
SIX PLACE DECIMAL	FEET			
SEVEN PLACE DECIMAL	FEET			
EIGHT PLACE DECIMAL	FEET			
NINE PLACE DECIMAL	FEET			
TEN PLACE DECIMAL	FEET			
ELEVEN PLACE DECIMAL	FEET			
TWELVE PLACE DECIMAL	FEET			
THIRTEEN PLACE DECIMAL	FEET			
FOURTEEN PLACE DECIMAL	FEET			
FIFTEEN PLACE DECIMAL	FEET			
SIXTEEN PLACE DECIMAL	FEET			
SEVENTEEN PLACE DECIMAL	FEET			
EIGHTEEN PLACE DECIMAL	FEET			
NINETEEN PLACE DECIMAL	FEET			
TWENTY PLACE DECIMAL	FEET			

PROPERTY AND CONSERVATION:	DATE	BY	REV
THE INFORMATION CONTAINED IN THIS DRAWING IS THE SOLE PROPERTY OF ROBERT LONGHORN. ANY REPRODUCTION IN PART OR AS A WHOLE WITHOUT THE WRITTEN PERMISSION OF ROBERT LONGHORN IS PROHIBITED.			

SIZE	DWG. NO.	REV
E		A

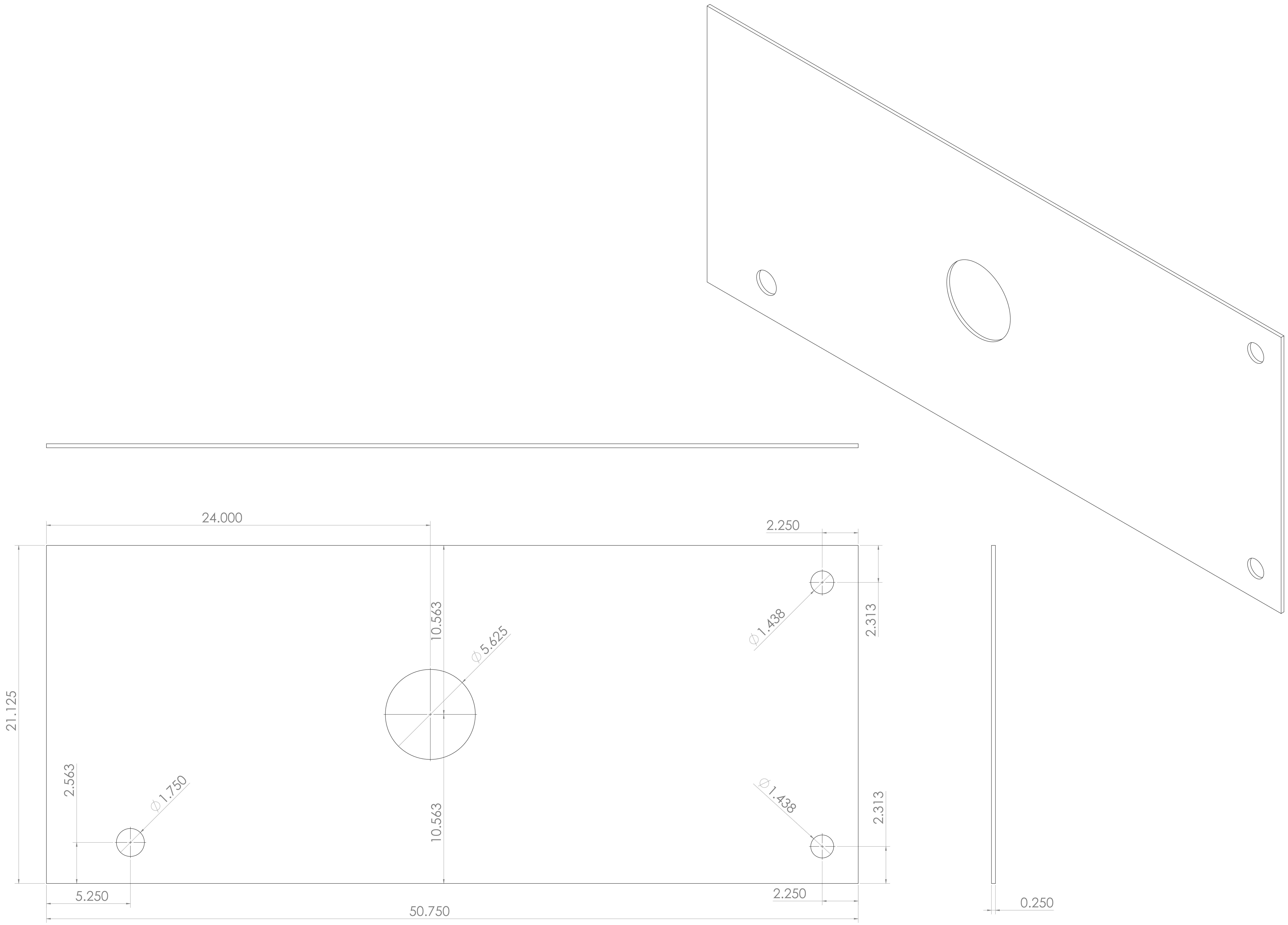
SCALE: 1:3 WEIGHT: SHEET 2 OF 6



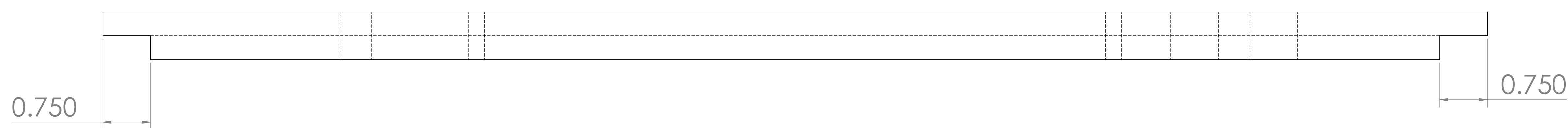
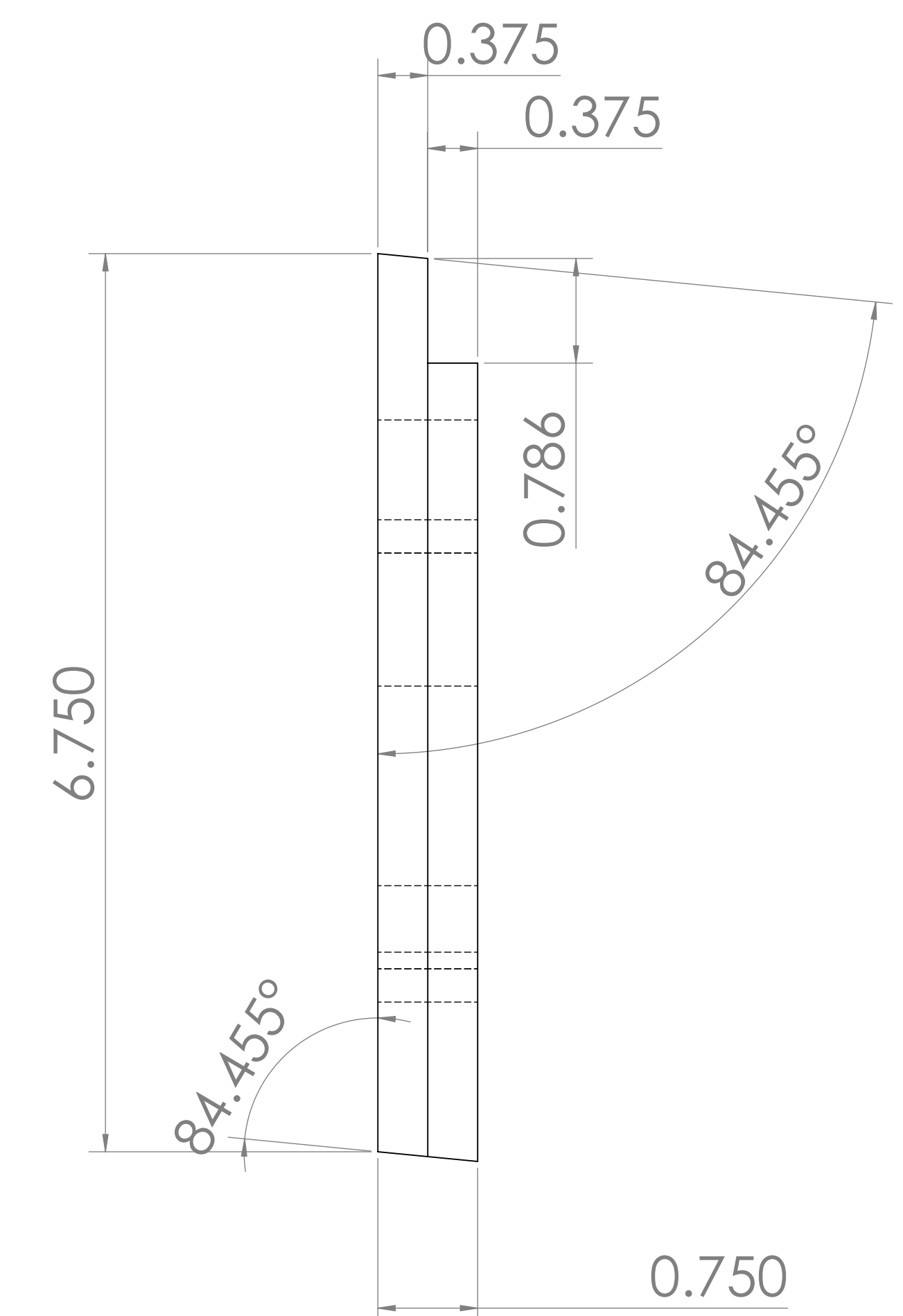
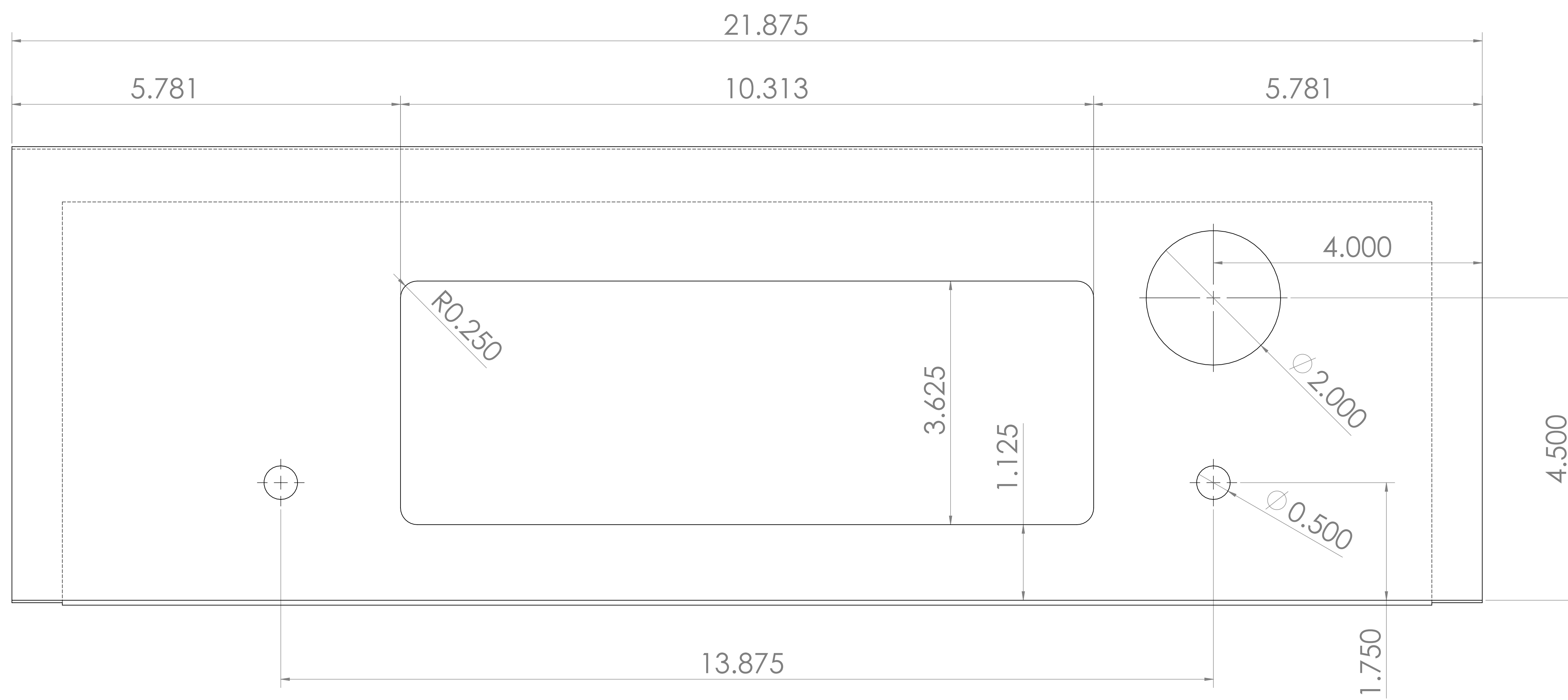
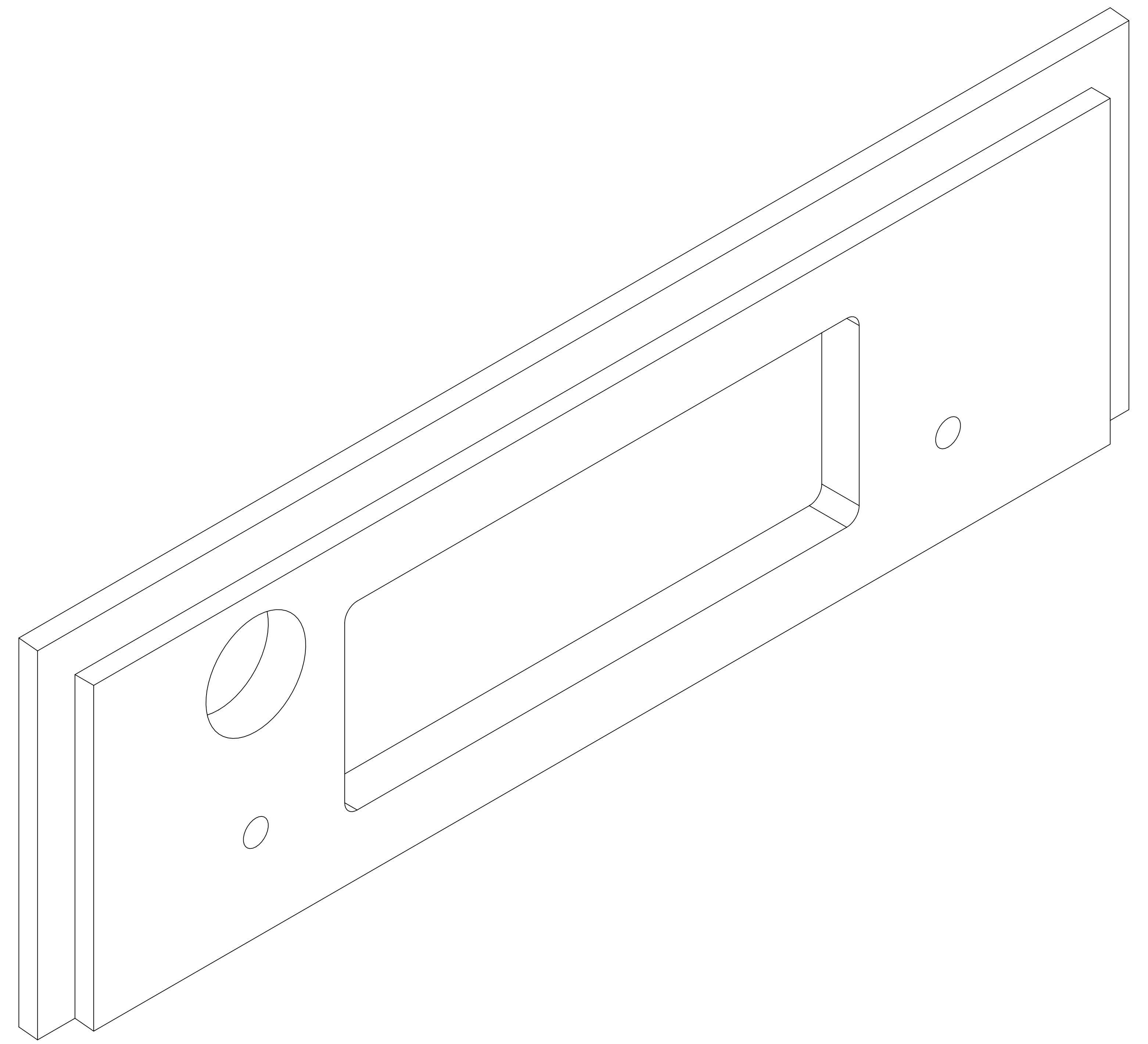
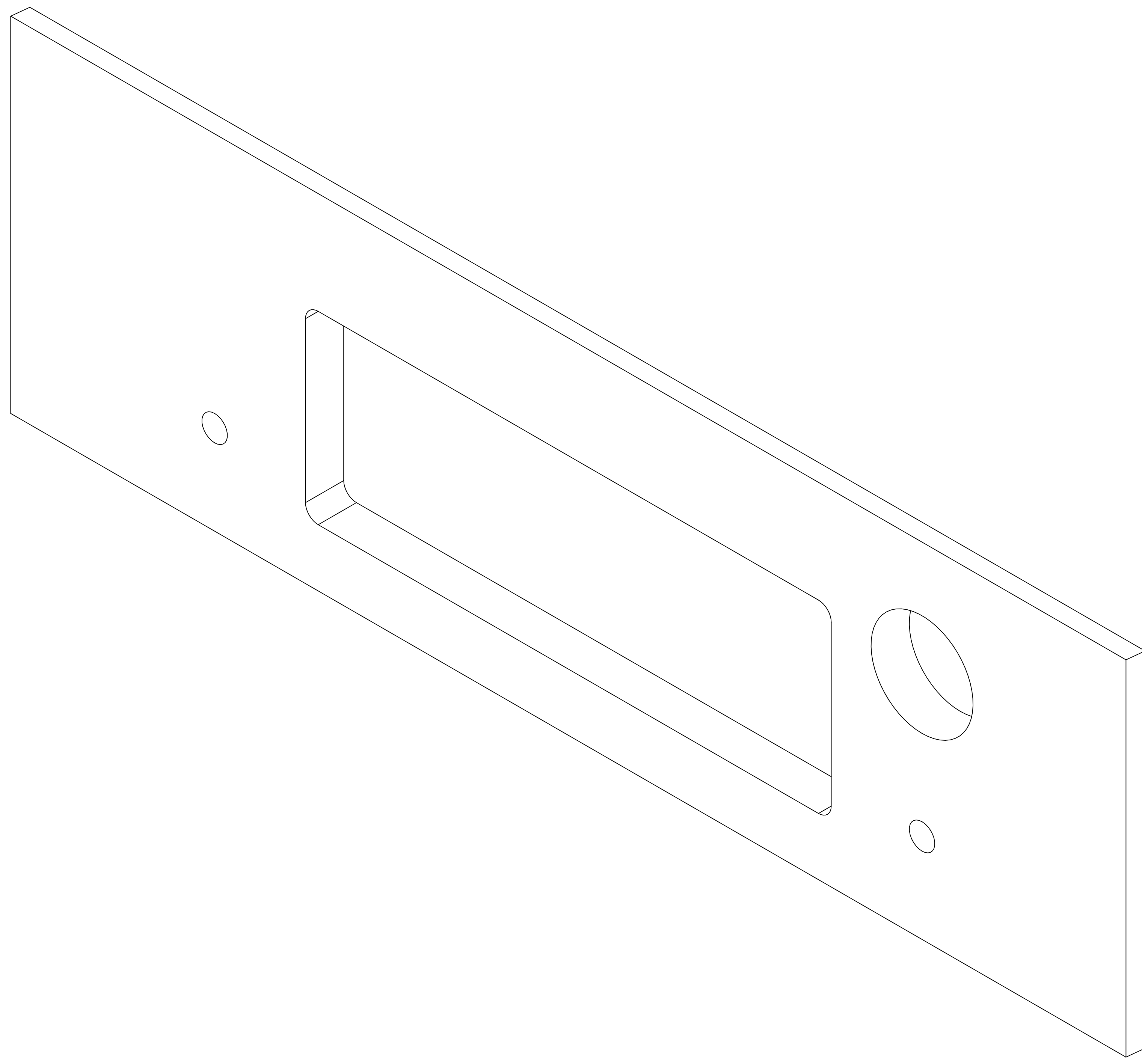
UNLESS OTHERWISE SPECIFIED:		NAME	DATE	TITLE:
TO DIMENSIONS:	DRAWN	REL	3/5/2008	Pharaoh Cabinet Lower
FRACTIONAL	CHECKED			
DECIMAL	ENG APPR			
THREE PLACE DECIMAL	DATE			
FOUR PLACE DECIMAL	SCALE			
INFORMAL GEOMETRIC	COMMENTS:			
CONSTRUCTION				

REV	DWG. NO.	REV
A		

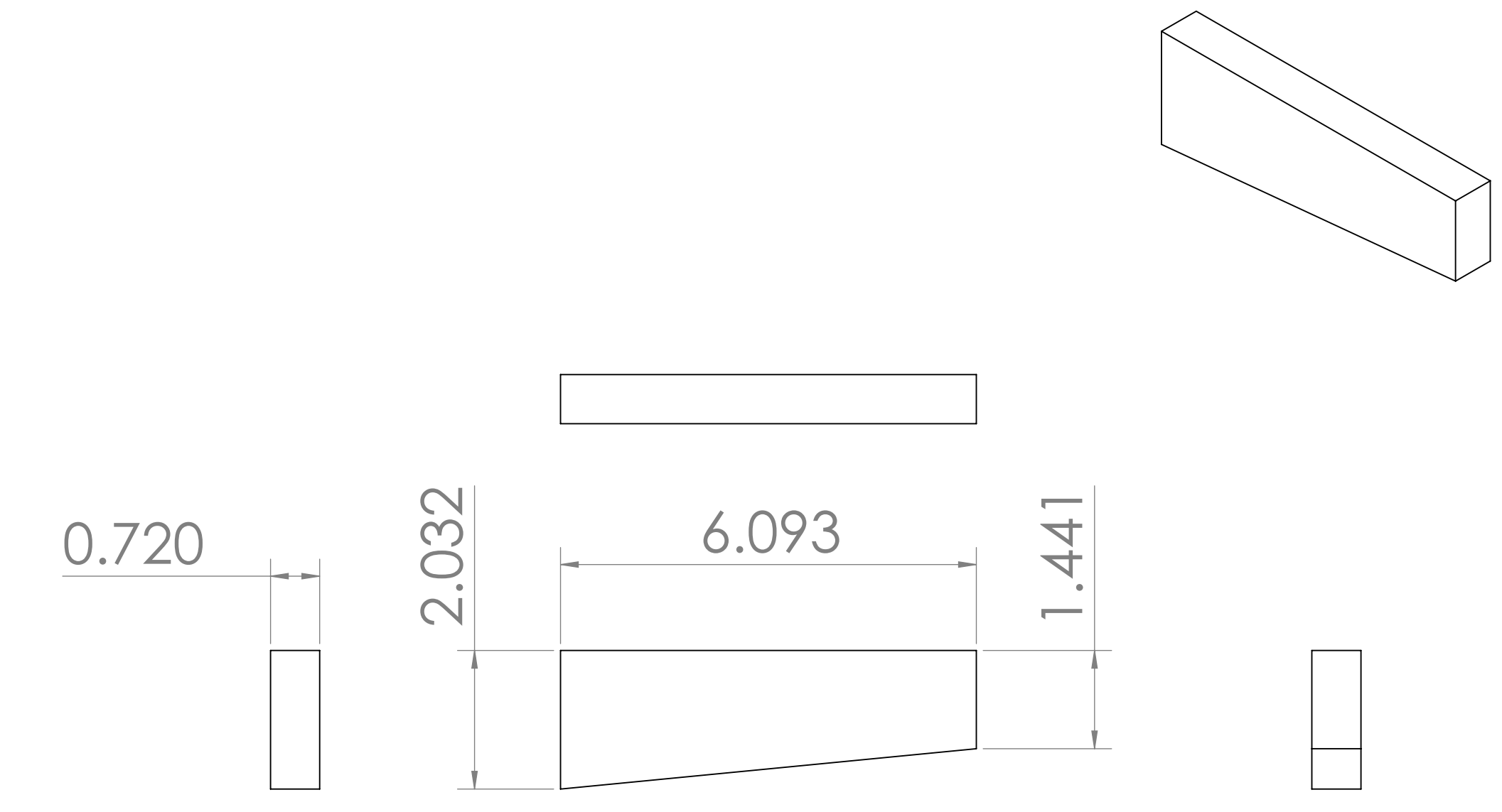
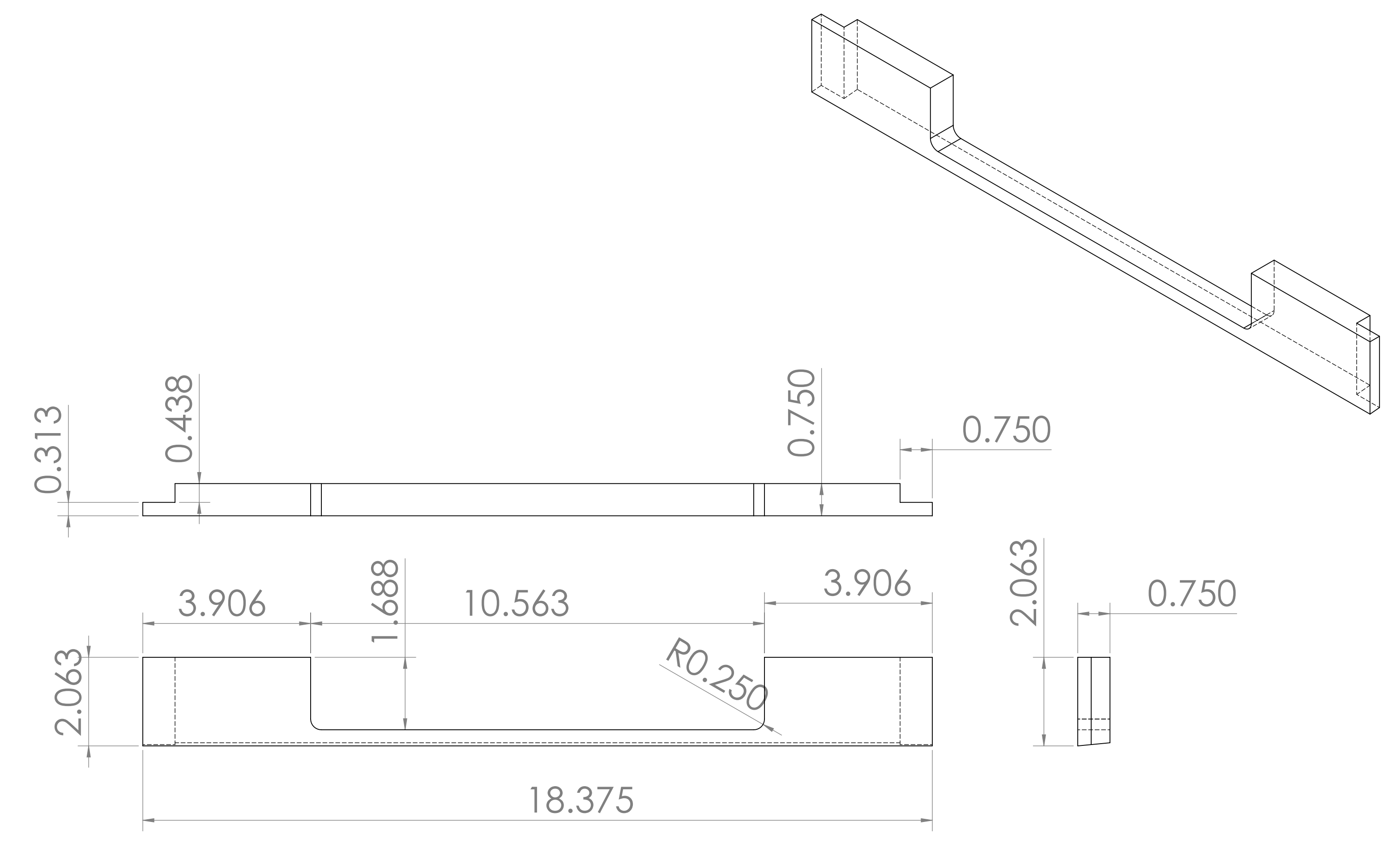
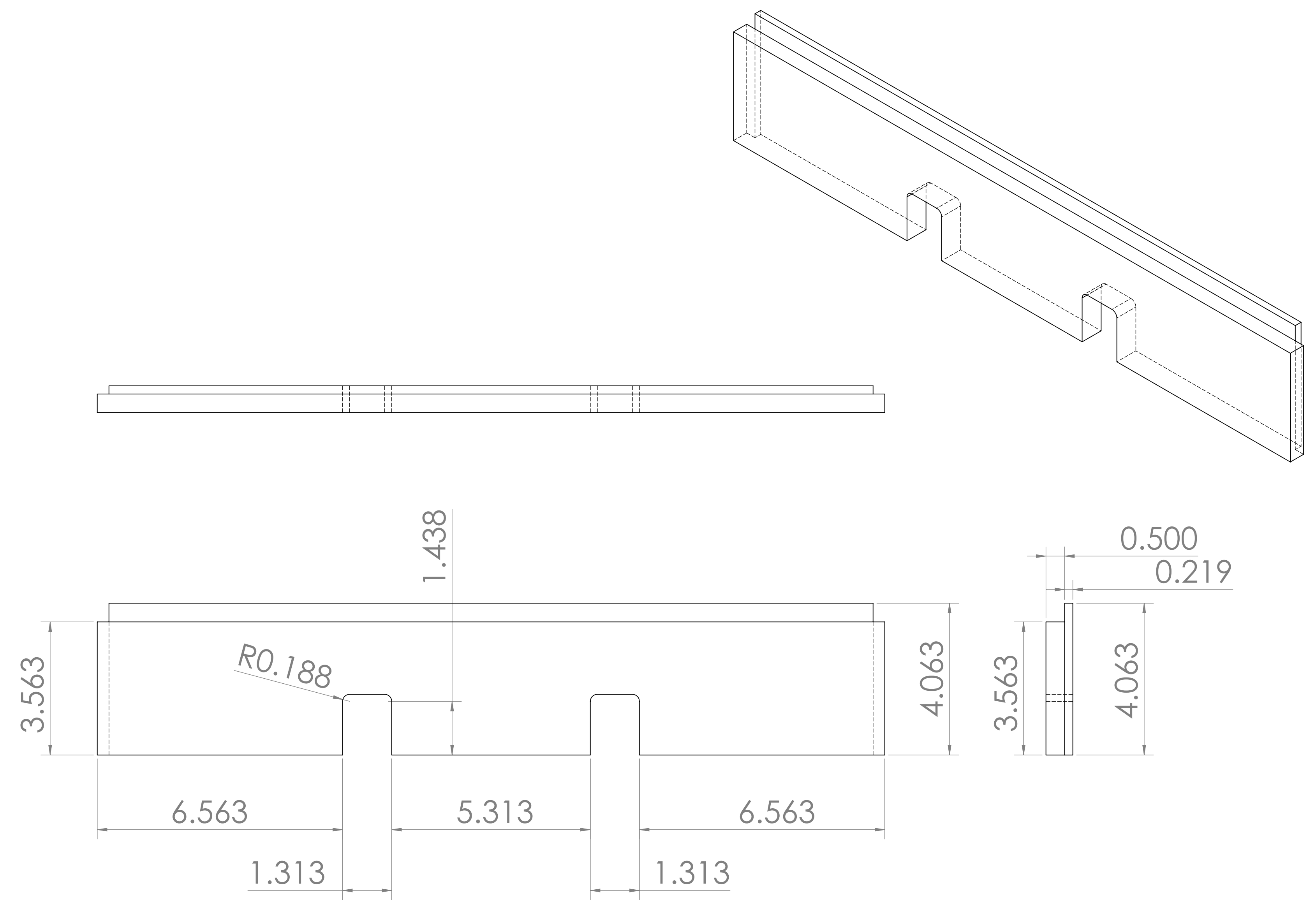
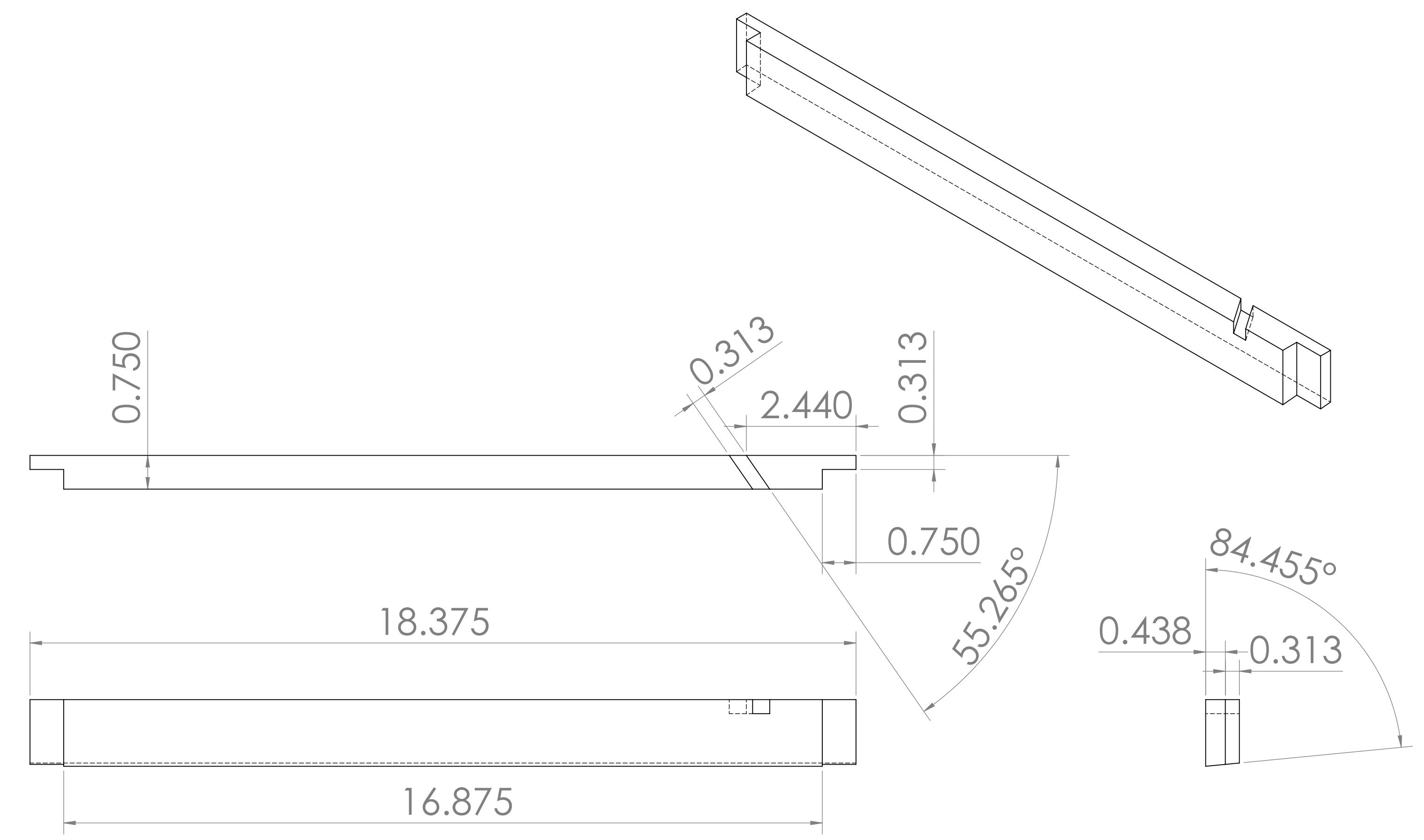
SCALE: 1:2 WEIGHT: SHEET 3 OF 6



UNLESS OTHERWISE SPECIFIED:		NAME	DATE	TITLE:
TO DIMENSIONS:	DRAWN	REL	3/5/2008	Pharaoh Cabinet Lower
FRACTIONAL 1/16"	CHECKED			
DECIMAL 1/32"	ENG APPR			
TWO PLACE DECIMAL 1/64"	DATE			
THREE PLACE DECIMAL 1/128"	QA			
INTERPRET GEOMETRIC TOLERANCING PER:	COMMENTS:			
ASME Y14.5				
PROPRIETARY AND CONFIDENTIAL: THE INFORMATION CONTAINED IN THIS DRAWING IS THE SOLE PROPERTY OF ROBERT LONGHILL. ANY REPRODUCTION IN PART OR AS A WHOLE WITHOUT THE WRITTEN PERMISSION OF ROBERT LONGHILL IS PROHIBITED.	SIZE	DWG. NO.	REV	
	E		A	
	SCALE: 1:2	WEIGHT:	SHEET 4 OF 6	



UNLESS OTHERWISE SPECIFIED:		NAME	DATE	TITLE
TO DIMENSIONS:	DRAWN			Pharaoh Cabinet Lower
FRACTIONAL:	CHECKED		3/15/2008	
DECIMAL:	ENG APPR			
THREE PLACE DECIMAL:	ENG APPR			
THREE PLACE DECIMAL:	ENG APPR			
INTERPRET GEOMETRIC TOLERANCES PER:	ASME			
ASME Y14.5-2009				
PROPRIETARY AND CONFIDENTIAL: THE INFORMATION CONTAINED IN THIS DRAWING IS THE SOLE PROPERTY OF ROBERT LONGHORN. ANY REPRODUCTION IN PART OR AS A WHOLE WITHOUT THE WRITTEN PERMISSION OF ROBERT LONGHORN IS PROHIBITED.				
SIZE	DWG. NO.	REV		
E		A		
SCALE: 1:1	WEIGHT:	SHEET 5 OF 6		



UNLESS OTHERWISE SPECIFIED:		NAME	DATE	TITLE
TO DIMENSIONS:	DRAWN			Pharaoh Cabinet Lower
FRACTIONAL	CHECKED		3/5/2008	
DECIMAL	ENG APPR			
THREE PLACE DECIMAL	MFG APPR			
INTERPRET GEOMETRIC TOLERANCES PER:	ASME			
ASME	Y14.5			
ISO	1101			
OTHER				
COMMENTS:				
PROPERTY AND COPYRIGHT: THE INFORMATION CONTAINED IN THIS DRAWING IS THE SOLE PROPERTY OF ROBERT TOOLING. ANY REPRODUCTION IN PART OR AS A WHOLE WITHOUT THE WRITTEN PERMISSION OF ROBERT TOOLING IS PROHIBITED.				

SIZE DWG. NO. REV
E **A**
 SCALE: 1:2 WEIGHT: SHEET 6 OF 6