

Top of Head

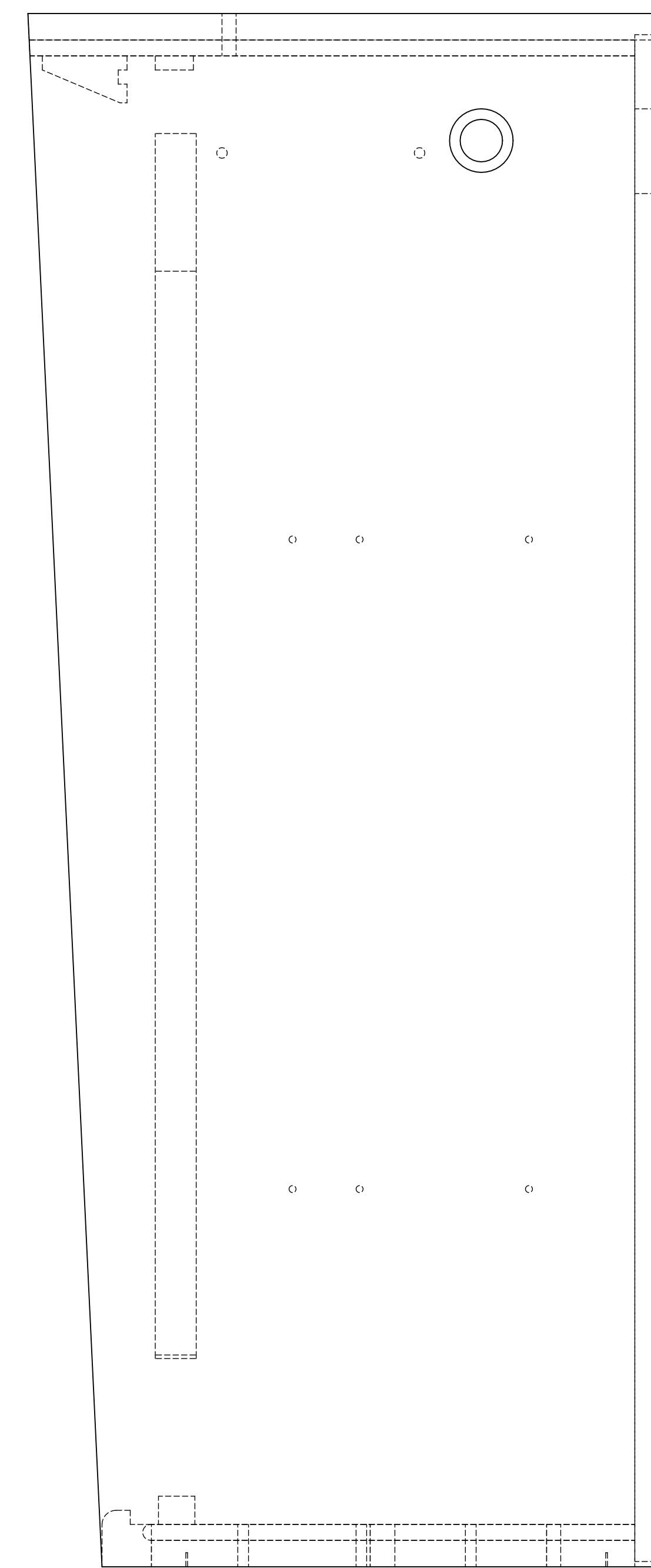
Upper Trim - Head

Left Side of Head

Back of Head

Strip-Left-Head

Bottom of Head

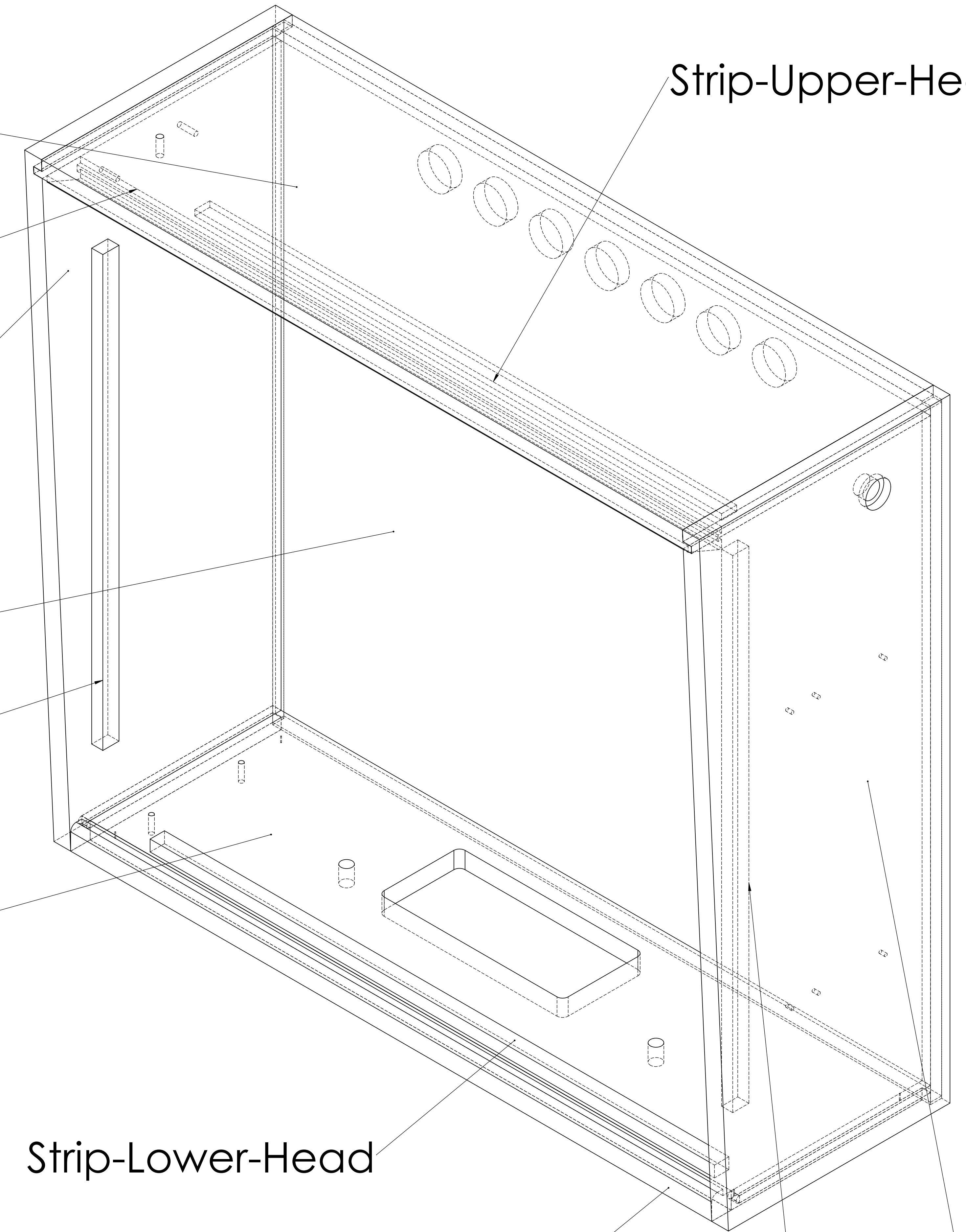


Strip-Lower-Head

Lower Trim - Head

Strip-Right-Head

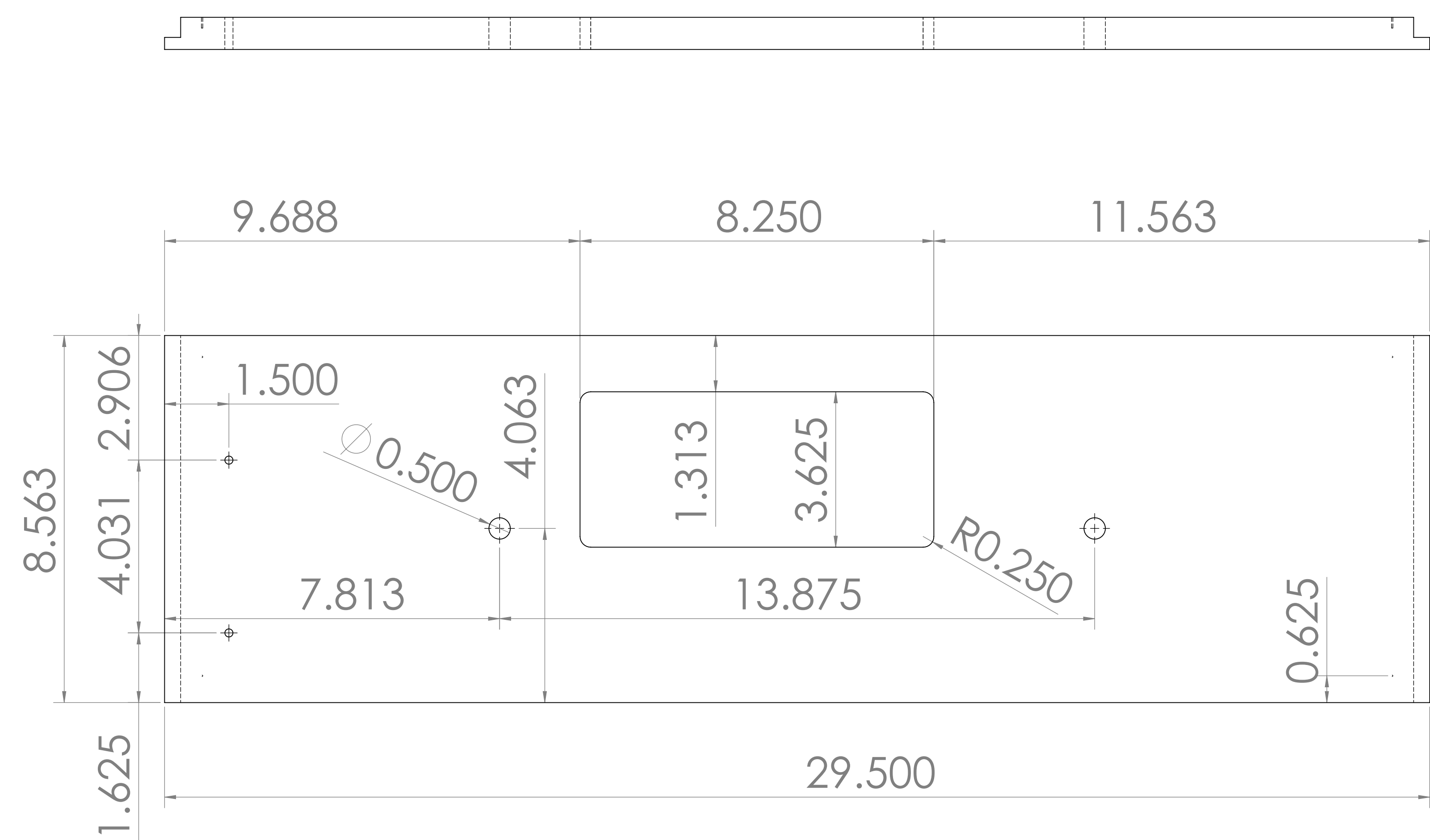
Right Side of Head



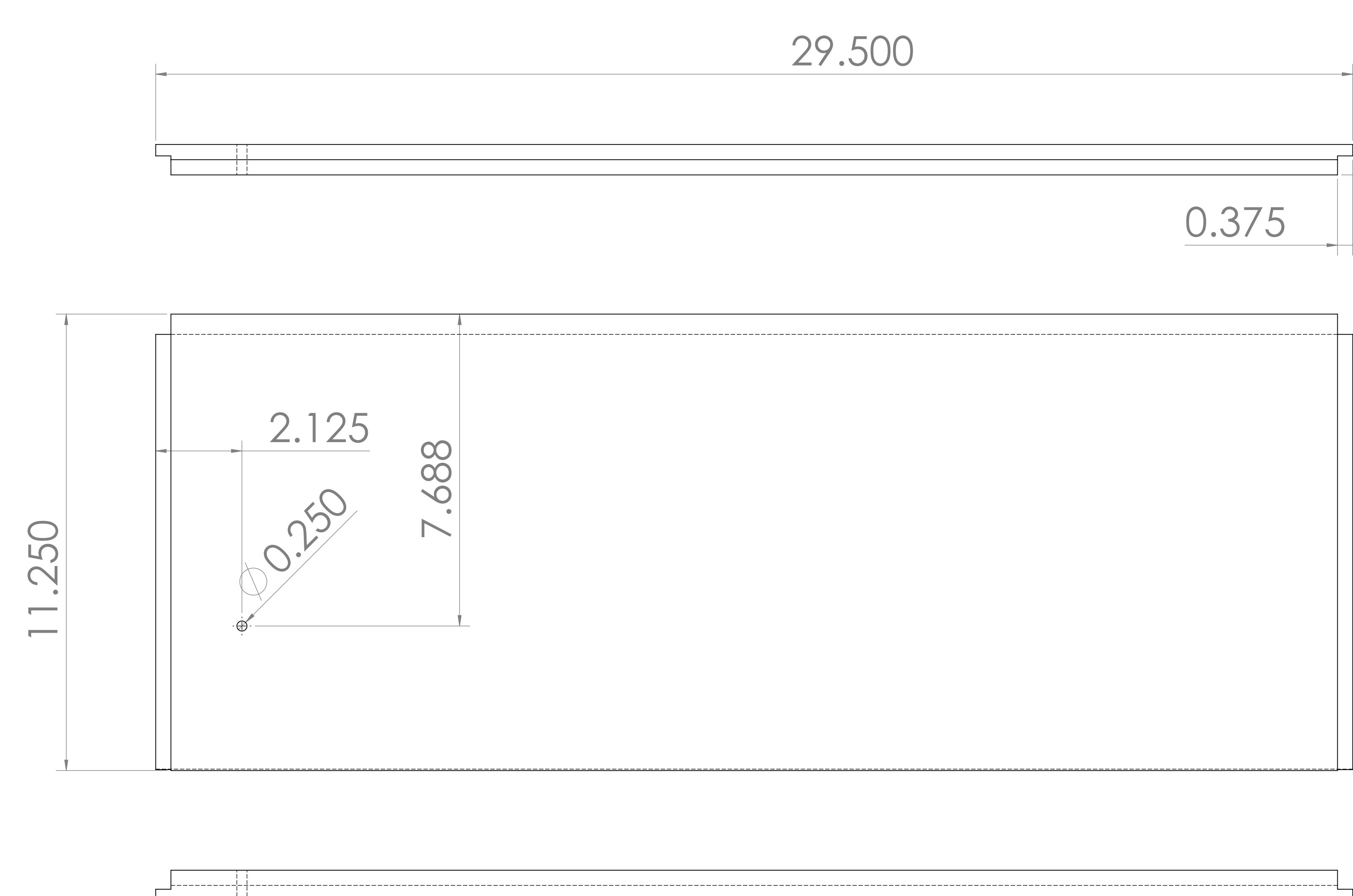
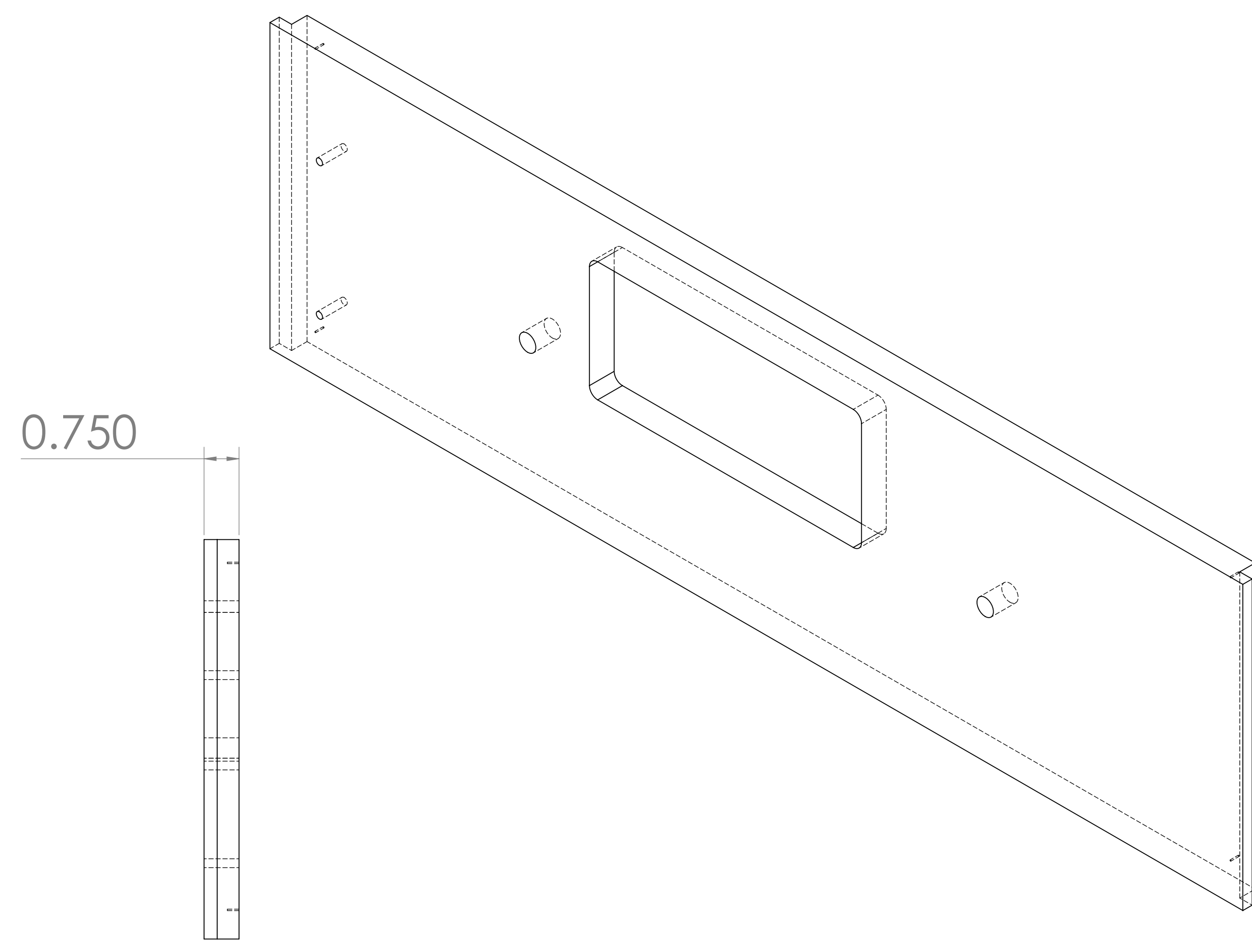
Strip-Upper-Head

UNLESS OTHERWISE SPECIFIED:		NAME	DATE	TITLE
TO DIMENSIONS ARE IN INCHES	DRAWN	REL	3/5/2008	Pharaoh Cabinet Upper
FRACTIONAL	CHECKED			
DECIMALS	ENG APPR			
THREE PLACE DECIMAL	MFG APPR			
	INTERPRET GEOMETRIC TOLERANCING PER:	Q.A.		
	CONTROL:	COMMENTS:		

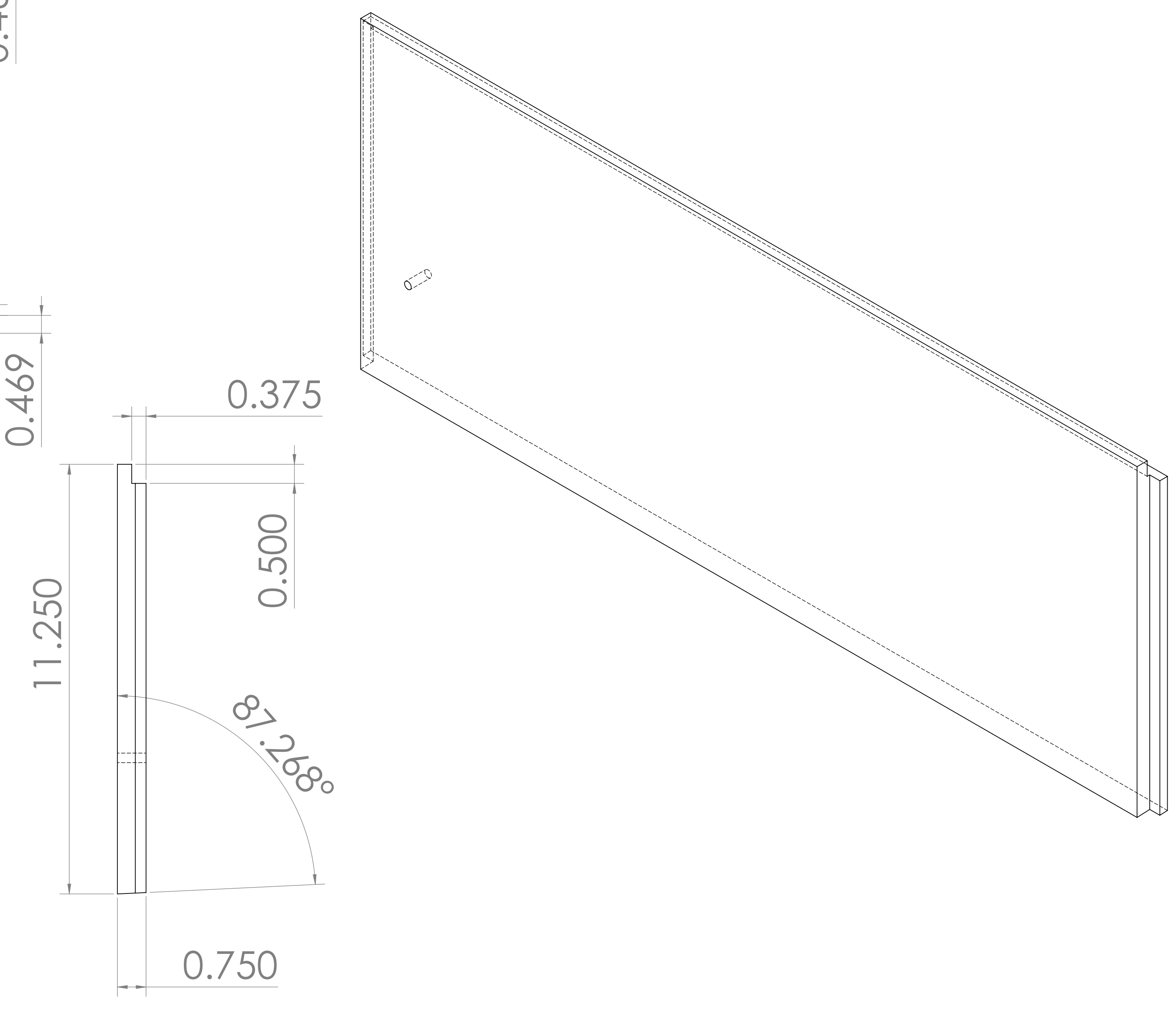
PROPERTY AND CONSERVATION: THE INFORMATION CONTAINED IN THIS DRAWING IS THE SOLE PROPERTY OF ROBERT LONGHORN. ANY REPRODUCTION IN PART OR AS A WHOLE WITHOUT THE WRITTEN PERMISSION OF ROBERT LONGHORN IS PROHIBITED.	SIZE	DWG. NO.	REV
	E		A
SCALE: 1:2	WEIGHT:		SHEET 1 OF 6



Bottom Of Cabinet
3/4" Cabinet Grade Pwood



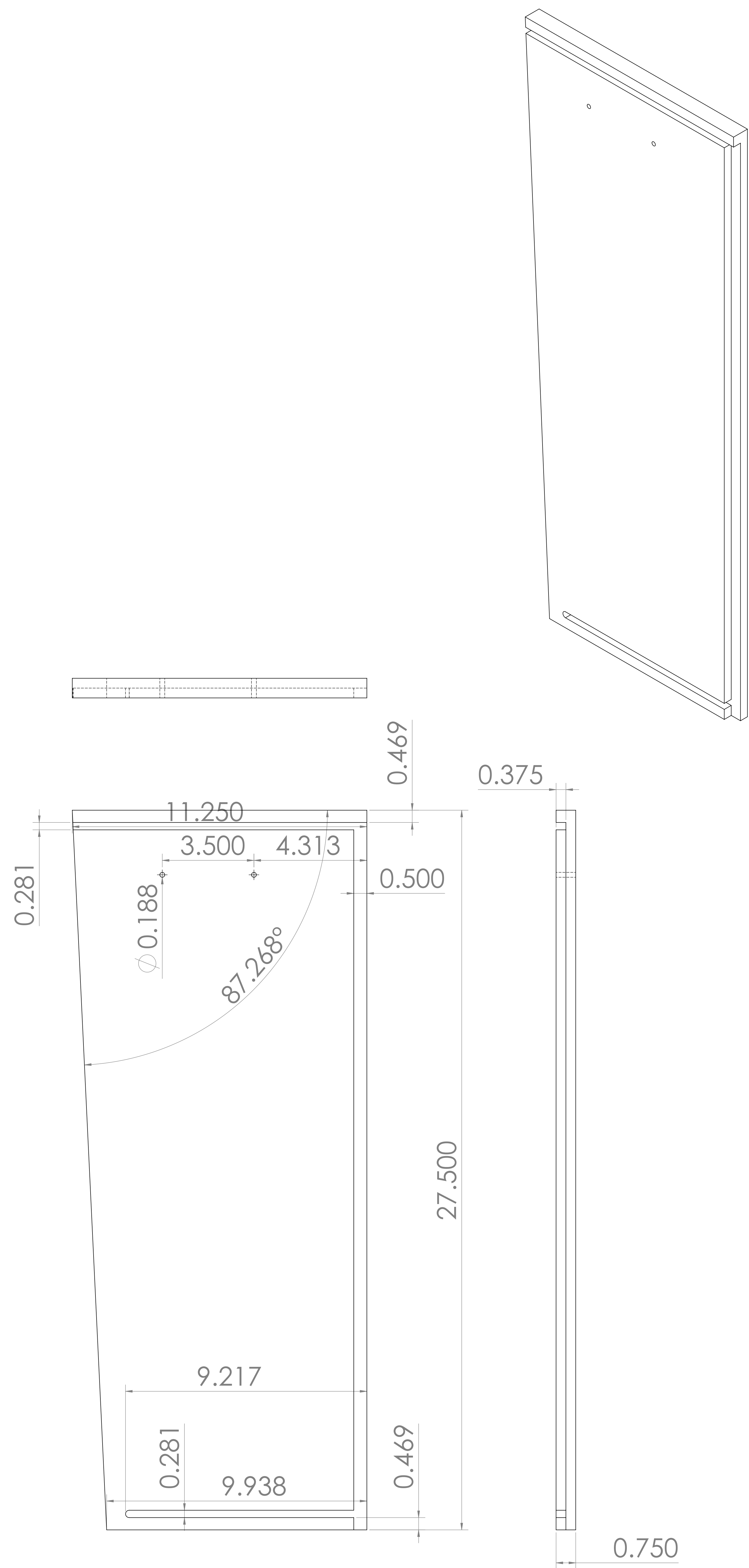
Top Of Cabinet
3/4" Cabinet Grade Plywood



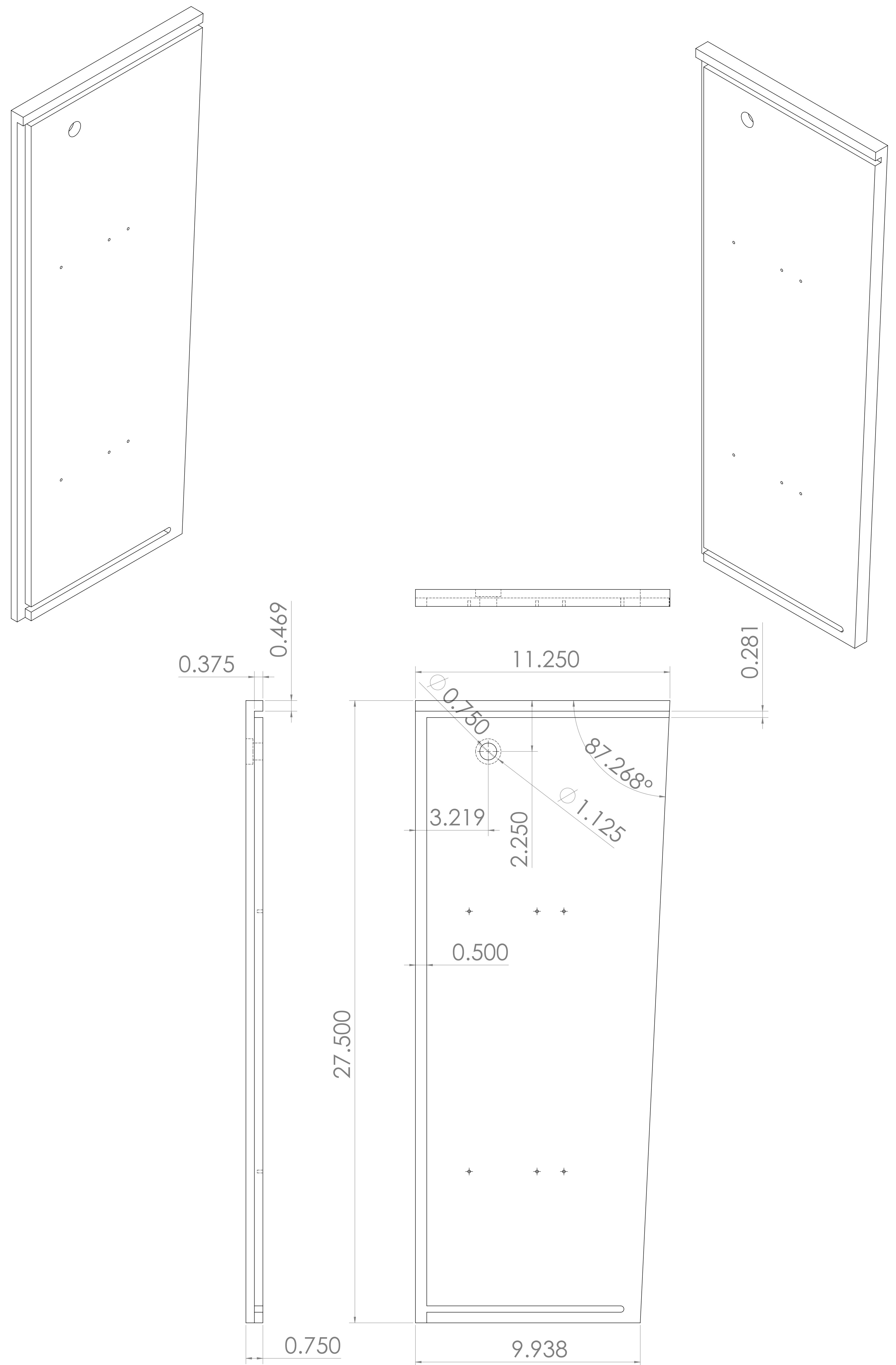
UNLESS OTHERWISE SPECIFIED:		NAME	DATE	TITLE
TO DIMENSIONS:	DRAWN	REL	3/5/2008	Pharaoh Cabinet Upper
FRACTIONAL:	CHECKED			
DECIMAL:	ENG APPR			
THREE PLACE DECIMAL:	ENG APPR			
TWO PLACE DECIMAL:	ENG APPR			
ONE PLACE DECIMAL:	ENG APPR			
NO DIMENSIONS:	QA			
INTERPRET GEOMETRIC TOLERANCES PER:	COMMENTS:			
ASME Y14.5-2009				

SIZE	DWG. NO.	REV
E		A

SCALE: 1:2 WEIGHT: SHEET 2 OF 6



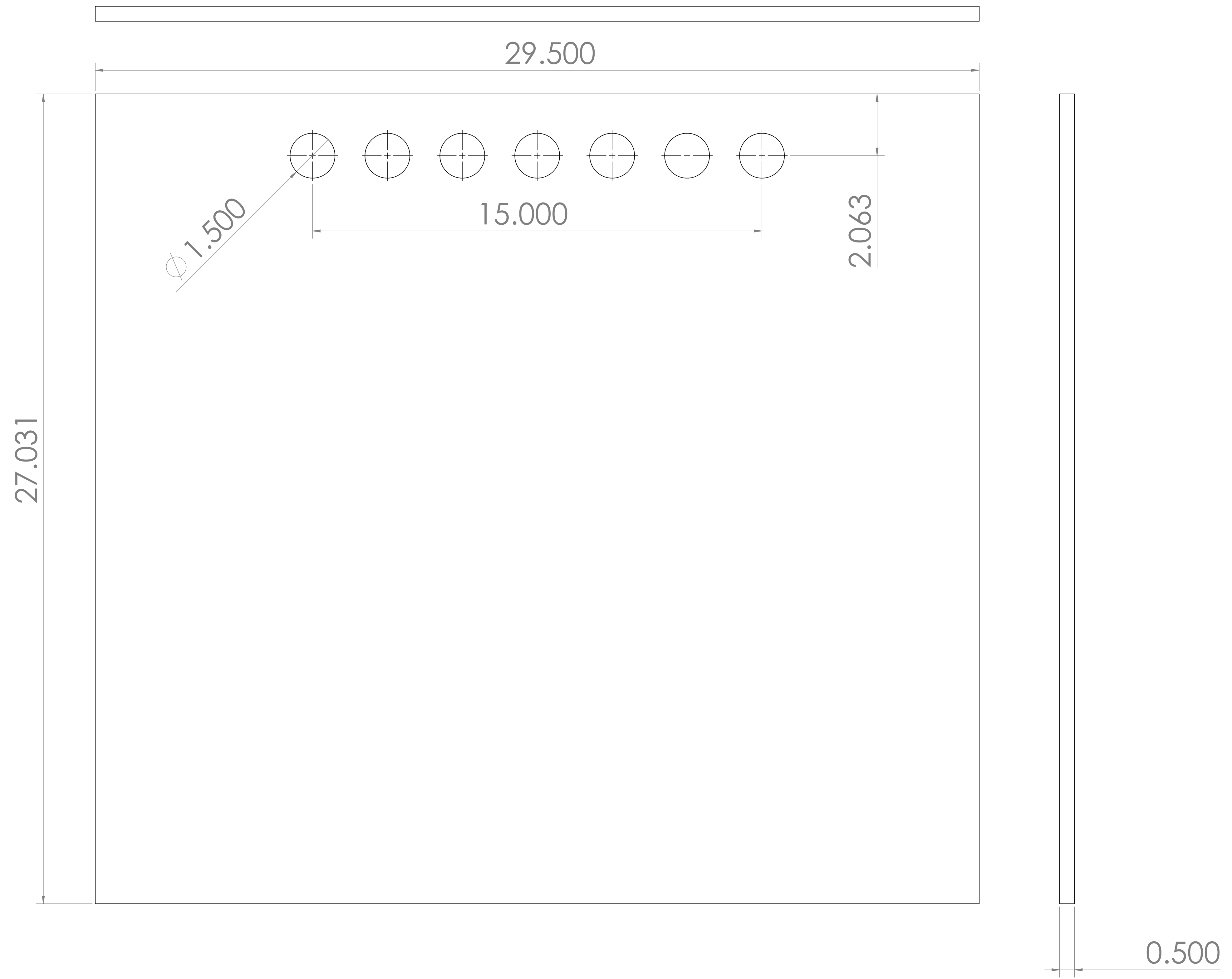
Left Side Of Cabinet
3/4" Cabinet Grade Plywood



Right Side Of Cabinet
3/4" Cabinet Grade Plywood

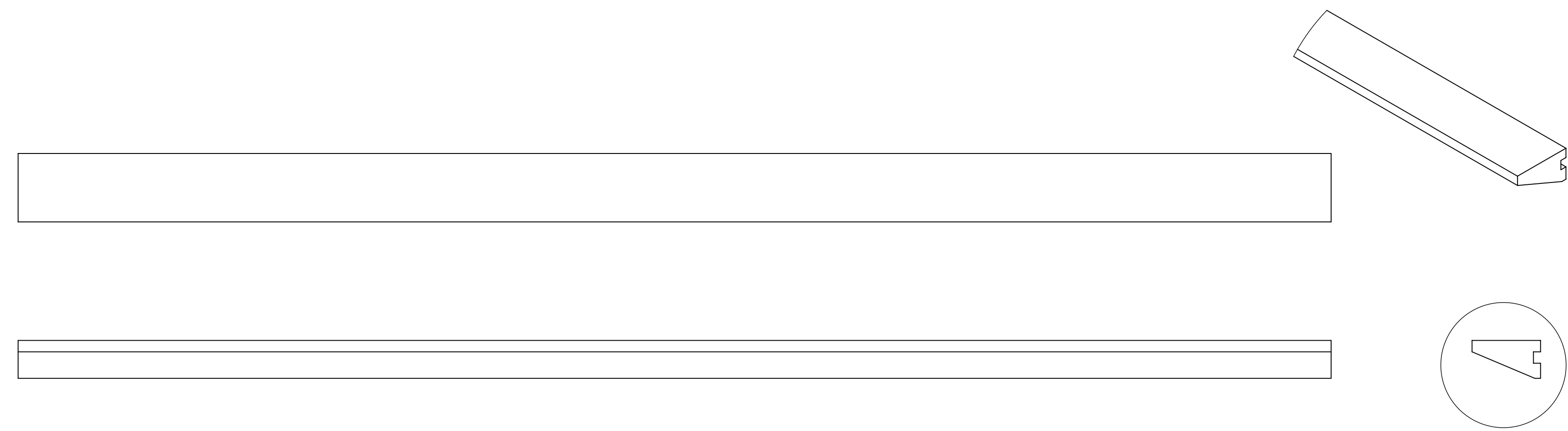
UNLESS OTHERWISE SPECIFIED:		NAME	DATE	TITLE:
TO DIMENSIONS	DRAWN	REL	3/5/2008	Pharaoh Cabinet Upper
FRACTIONAL	CHECKED			
DECIMALS	APPROVED			
TWO PLACE DECIMAL	DATE			
THREE PLACE DECIMAL	SCALE			
	COMMENTS			

PROPERTY AND CONFIDENTIALITY:	SIZE	DWG. NO.	REV
THE INFORMATION CONTAINED IN THIS DRAWING IS THE SOLE PROPERTY OF ROBERT LOGGERS. ANY REPRODUCTION IN PART OR AS A WHOLE WITHOUT THE WRITTEN PERMISSION OF ROBERT LOGGERS IS PROHIBITED.	E		A
	SCALE: 1:2	WEIGHT:	SHEET 3 OF 6

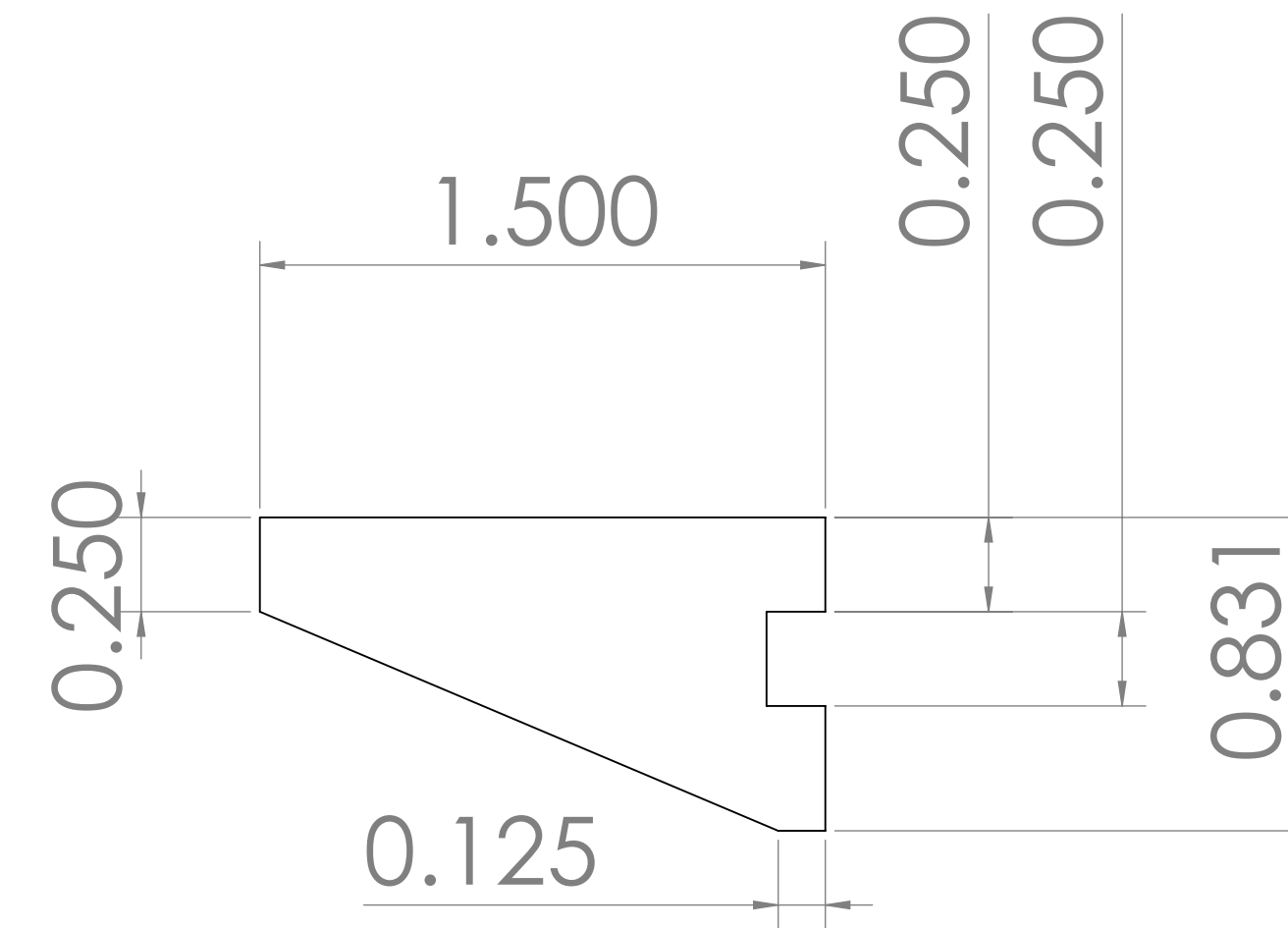


Back Of Cabinet
 1/2" Cabinet Grade Plywood
 Originally 1/2" MDF

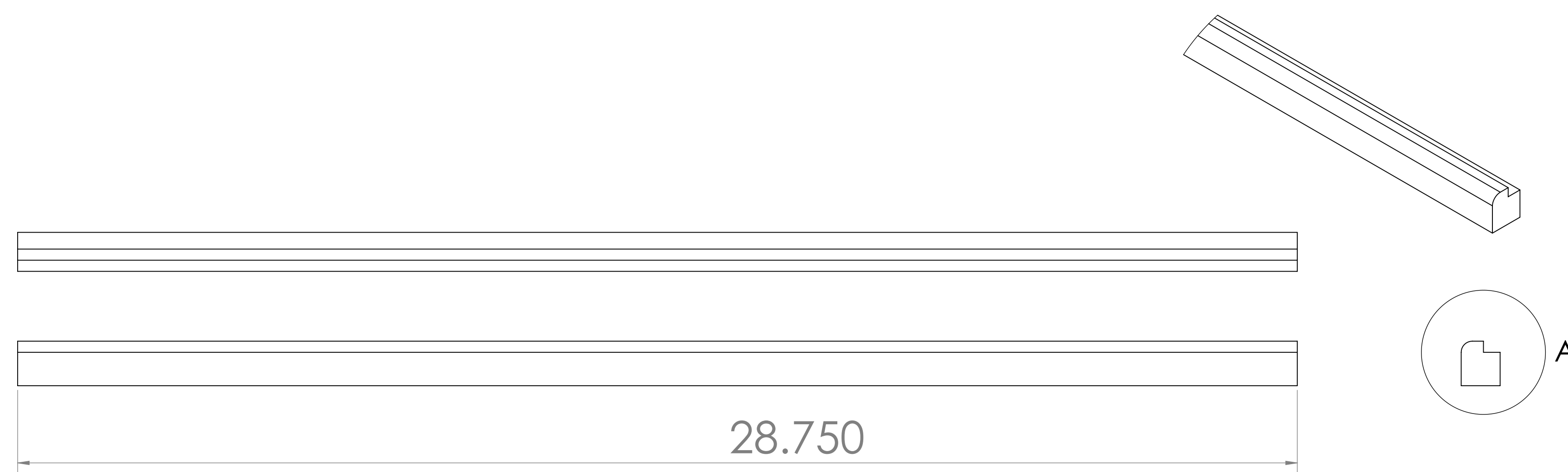
UNLESS OTHERWISE SPECIFIED:		NAME	DATE	TITLE:
TO DIMENSIONS	DRAWN	REL	3/5/2008	Pharaoh Cabinet Upper
FRACTIONAL	CHECKED			
DECIMAL	ENG APPR			
THREE PLACE DECIMAL	DATE			
INTERPRET GEOMETRIC TOLERANCING PER:	Q/A			SIZE DWG. NO.
AS SHOWN	COMMENTS:			REV
				A
<small>PROPRIETARY AND CONFIDENTIAL: THE INFORMATION CONTAINED IN THIS DRAWING IS THE SOLE PROPERTY OF ROBERT LONGHILL. ANY REPRODUCTION IN PART OR AS A WHOLE WITHOUT THE WRITTEN PERMISSION OF ROBERT LONGHILL IS PROHIBITED.</small>				SCALE: 1:2 WEIGHT: SHEET 4 OF 6



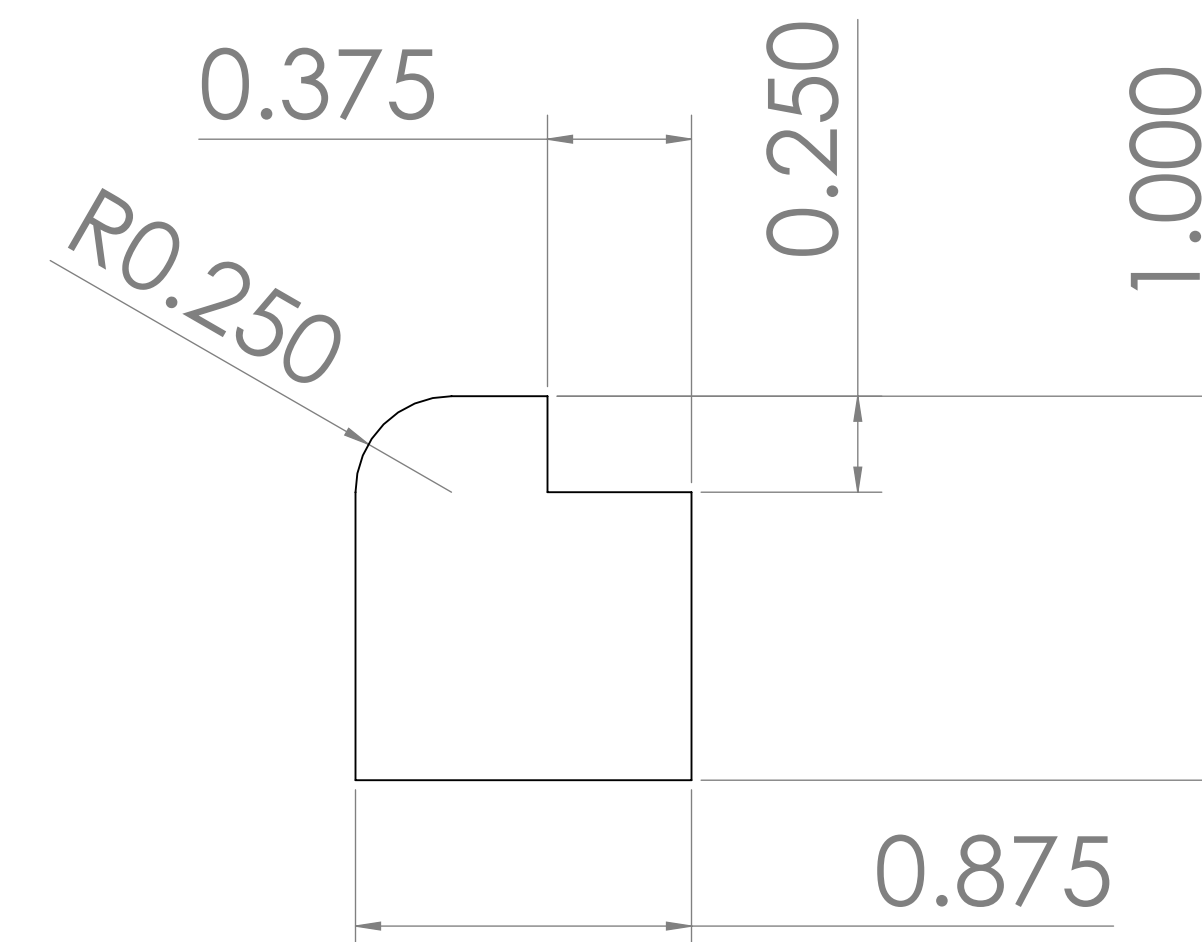
Upper Trim Piece
Pine or Poplar TBD



DETAIL B
SCALE 2 : 1



Lower Trim Piece
Pine or Poplar TBD

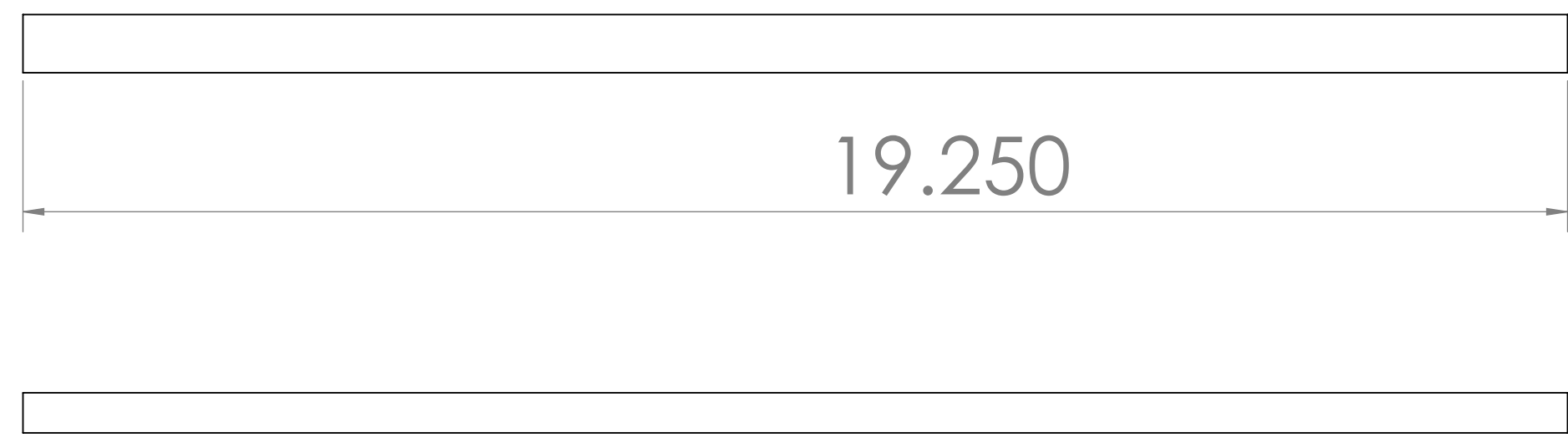


DETAIL A
SCALE 2 : 1

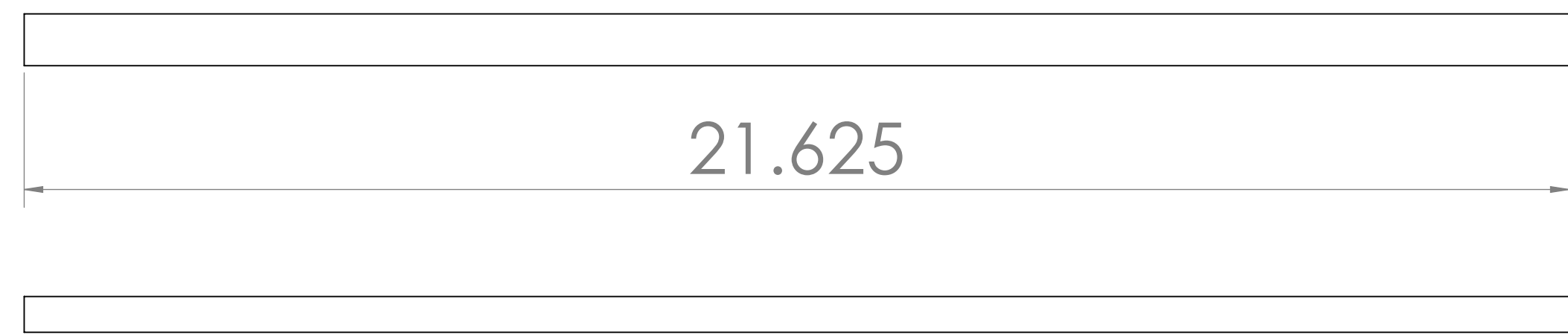
UNLESS OTHERWISE SPECIFIED:		NAME	DATE	TITLE:
TO DIMENSIONS	DRAWN	REL	3/5/2008	Pharaoh Cabinet Upper
FRACTIONAL	CHECKED			
DECIMALS	ENG APPR			
THREE PLACE DECIMAL	DATE			
THREE PLACE DECIMAL	Q.A.			SIZE DWG. NO. REV
INTERPRET GEOMETRIC	COMMENTS:			E A
TOLERANCES PER				SCALE: 1:2 WEIGHT: SHEET 5 OF 6
AS A WHOLE WITHOUT THE WRITTEN PERMISSION OF Robert Longoria IS PROHIBITED.				



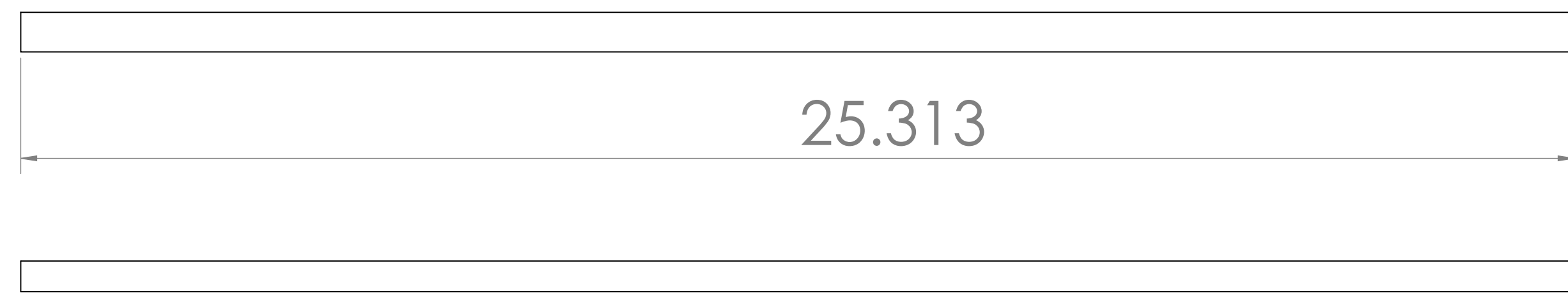
Upper Strip
 Pine or Poplar TBD
 Originally 1/4" Hardboard



Left Side Strip
 Pine or Poplar or Ply TBD
 Originally 1/2" Plywood



Right Side Strip
 Pine or Poplar or Ply TBD
 Originally 1/2" Plywood



Lower Strip
 Pine or Poplar or Ply TBD
 Originally 1/2" Plywood

UNLESS OTHERWISE SPECIFIED:		NAME	DATE	TITLE
TO DIMENSIONS:	DRAWN	REL	3/5/2008	Pharaoh Cabinet Upper
FRACTIONAL 1/8"	CHECKED			
DECIMAL 1/16"	ENG APPR			
THREE PLACE DECIMAL 1/32"	DATE			
INTERPRET GEOMETRIC TOLERANCING PER:	Q.A.			SIZE DWG. NO. REV
AS SHOWN	COMMENTS:			E A
PROPERTY AND COPYRIGHT: THE INFORMATION CONTAINED IN THIS DRAWING IS THE SOLE PROPERTY OF ROBERT LONGHORN. ANY REPRODUCTION IN PART OR AS A WHOLE WITHOUT THE WRITTEN PERMISSION OF ROBERT LONGHORN IS PROHIBITED.				SCALE: 1:2 WEIGHT: SHEET 6 OF 6